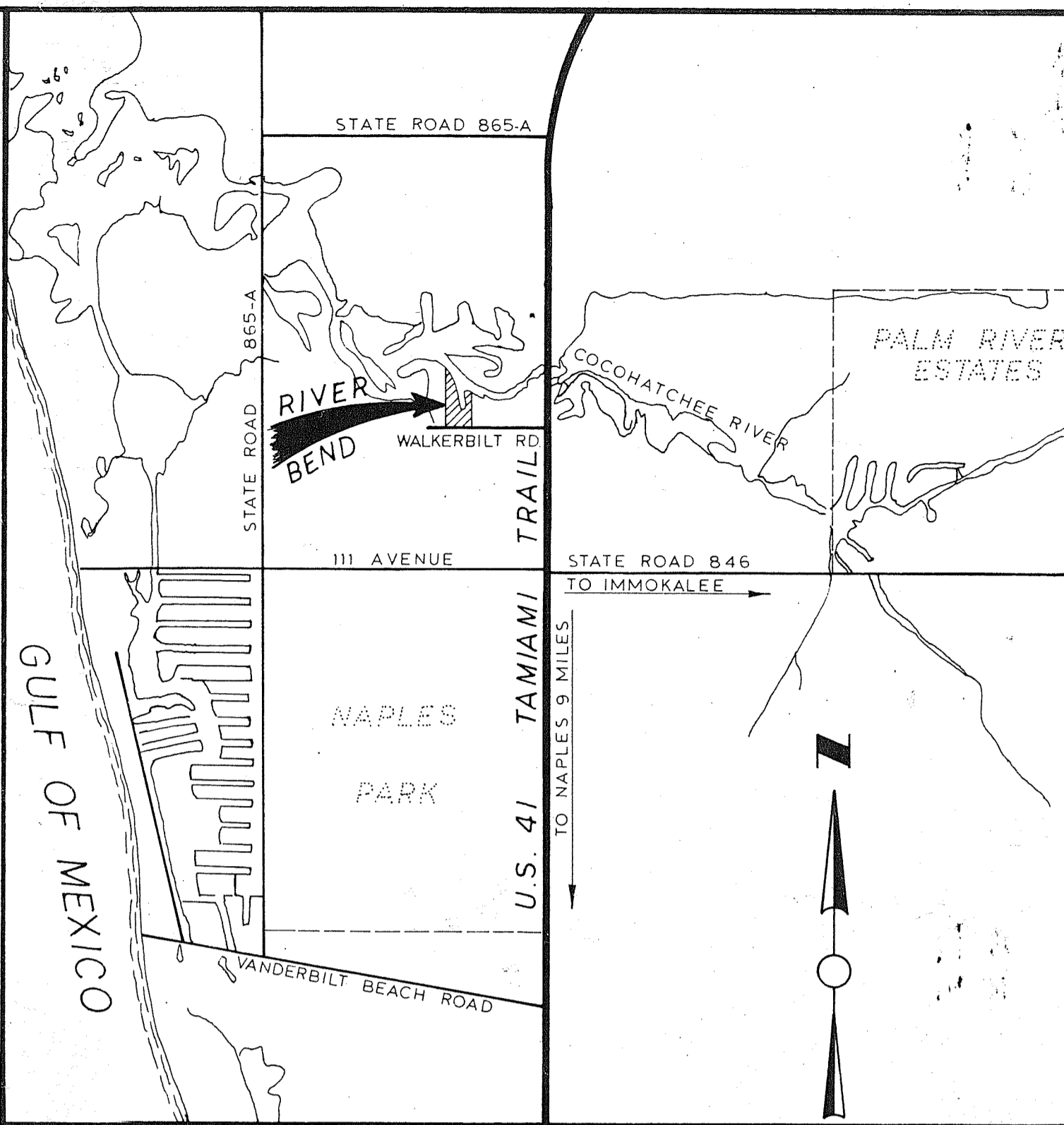
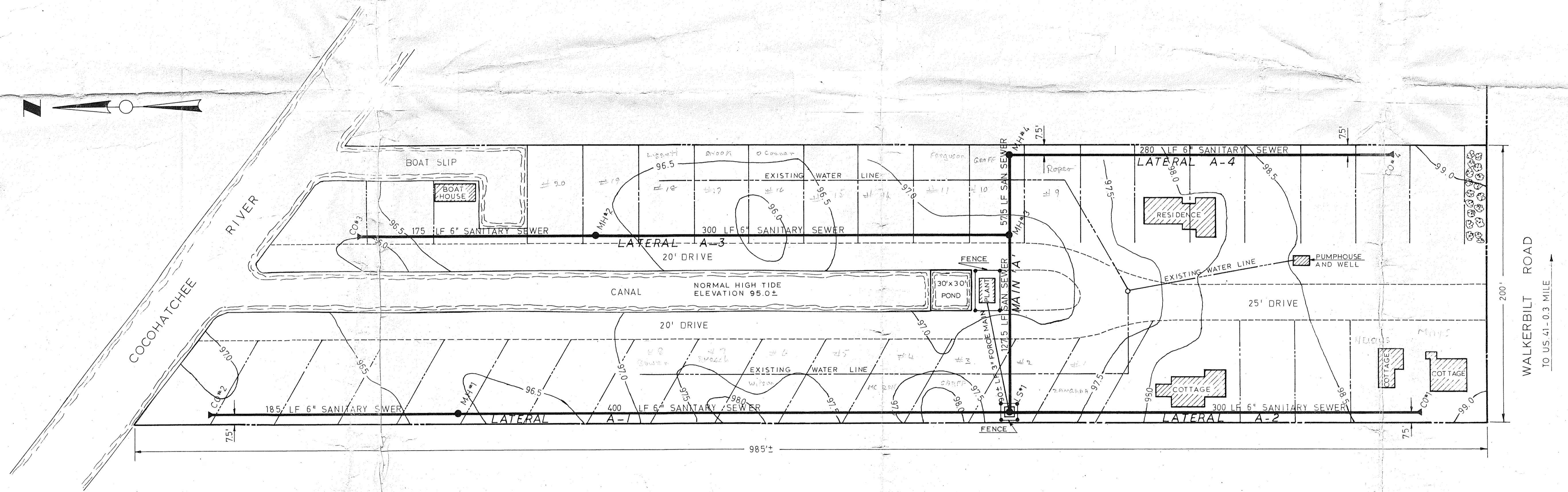
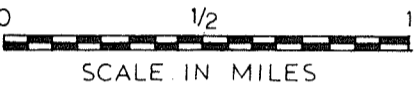


RIVER BEND



VICINITY MAP



PLOT PLAN

SCALE: 1"=40'

- NOTES:**
1. CONTOURS SHOWN ARE EXISTING (9/6/69).
 2. BUILDINGS SHOWN ARE EXISTING (9/6/69).
 3. SANITARY SEWAGE SYSTEM IS PROPOSED FOR CONSTRUCTION.
 4. WATER LINE LOCATIONS ARE APPROXIMATE AND SHALL BE VERIFIED BY CONTRACTOR PRIOR TO SEWER LINE CONSTRUCTION. (SEE SHEET 4 FOR REQUIRED CONSTRUCTION DETAILS.)

- CONSTRUCTION NOTES:**
1. ADJUST MANHOLE RIM ELEV. TO 0.20 ABOVE FINISHED GRADE.
 2. PLASTIC SEWER PIPE SHALL CONFORM TO CS-228 LATEST REV.
 3. FORCE MAIN SHALL BE 3" DOMESTIC GALVANIZED IRON PIPE.
 4. INSTALL ALL EQUIPMENT IN ACCORDANCE WITH MANUFACTURERS RECOMMENDATIONS.
 5. BASIS FOR ELEVATIONS ASSUMED.
 6. PROVIDE HOSE BIB AT PLANT SITE. SEE DETAIL SHEET 4.

SEWAGE FLOW DATA:

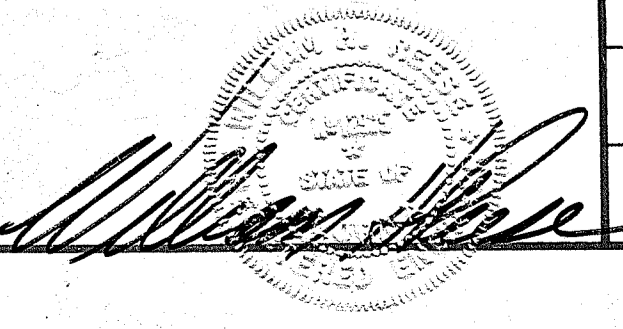
1. 36 Trailer sites @ 150 GPD	5,400
2. 3 Cottages @ 225 GPD	675
Total estimated sewage flow	6,075 GPD

NOTE: EXISTING RESIDENCE IS ALTERNATE FOR TWO PROPOSED TRAILER SITES.

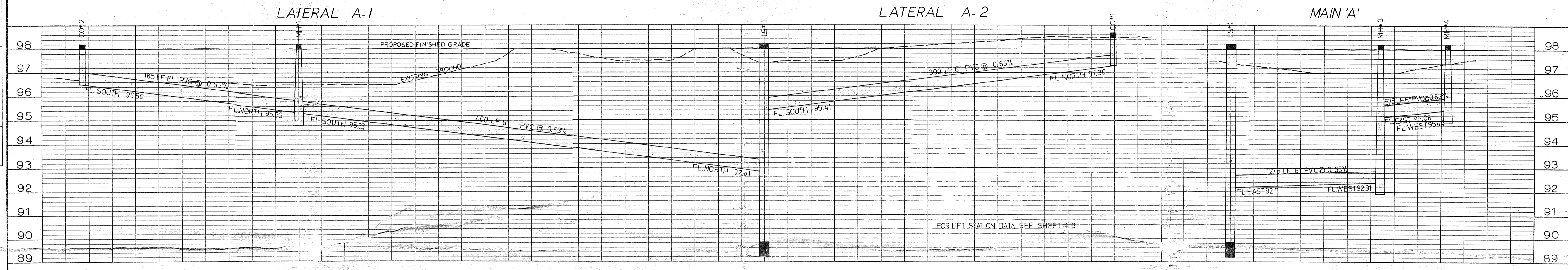
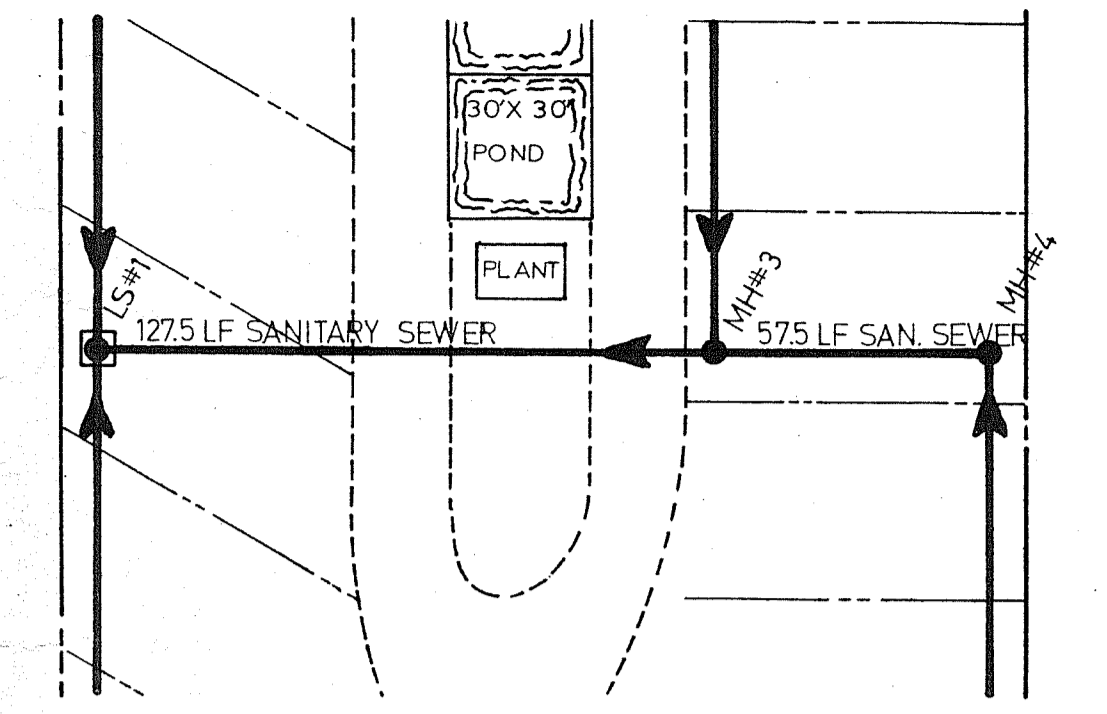
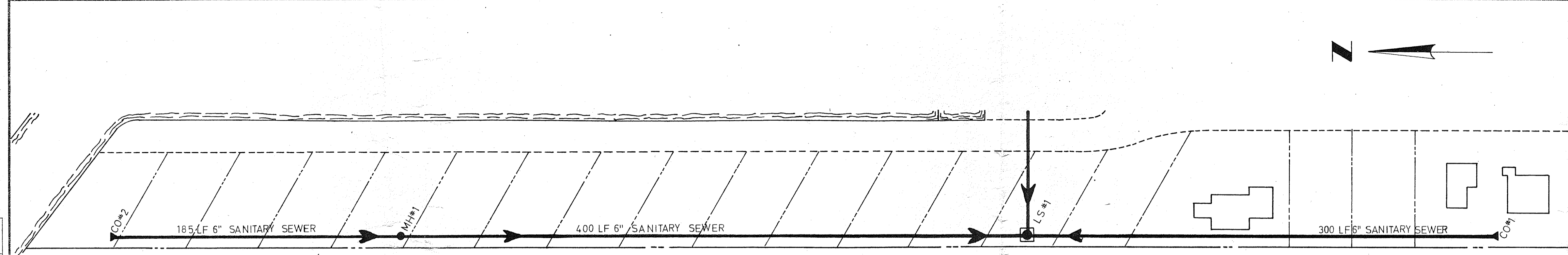
BM SPIKE IN POWER POLE ELEV 100.00 ASSUMED FOR CONSTRUCTION REFERENCE PLANE THIS PROJECT.

FOR: **MR. ALBERT J. SHOCKEY**
RIVER BEND
 PROPOSED SANITARY SEWAGE COLLECTION SYSTEM

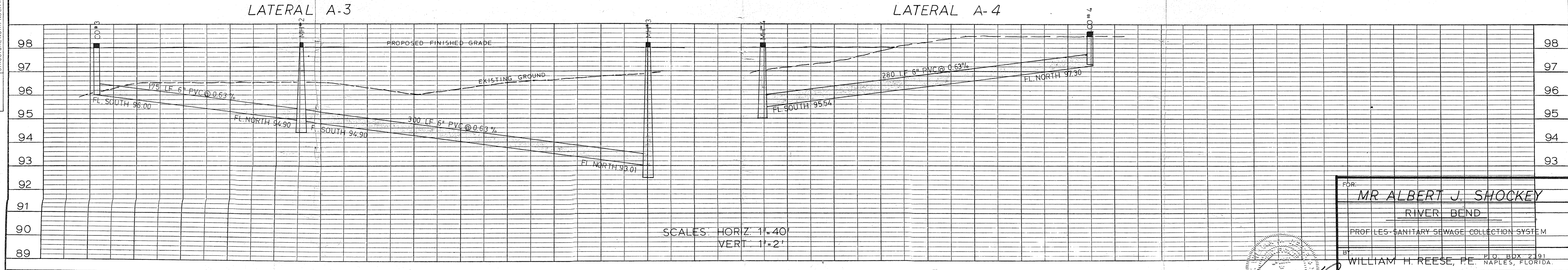
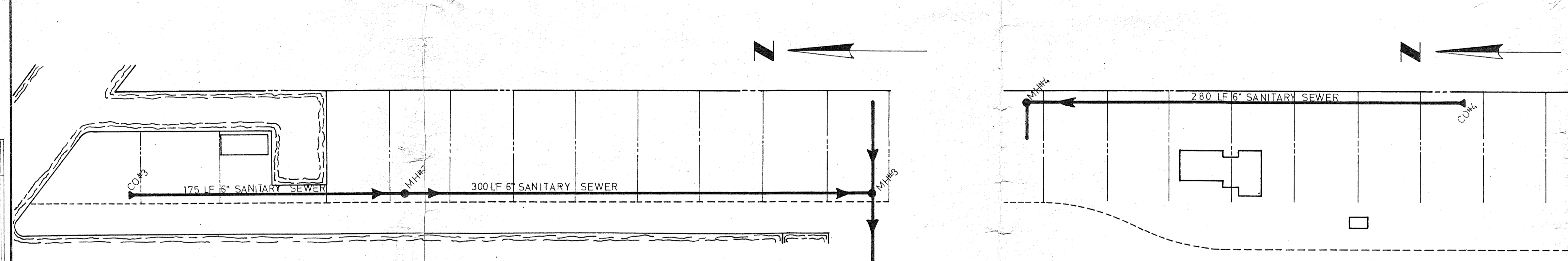
BY: **WILLIAM H. REESE, PE** P.O. BOX 2391
 NAPLES, FLORIDA
 DWG. NO. 0124-A DATE: 9/6/69



PLAN
 SURVEYED, PLOTTED, CHECKED, NO. OF WAY CHECKED
 DATE, BY, NO.

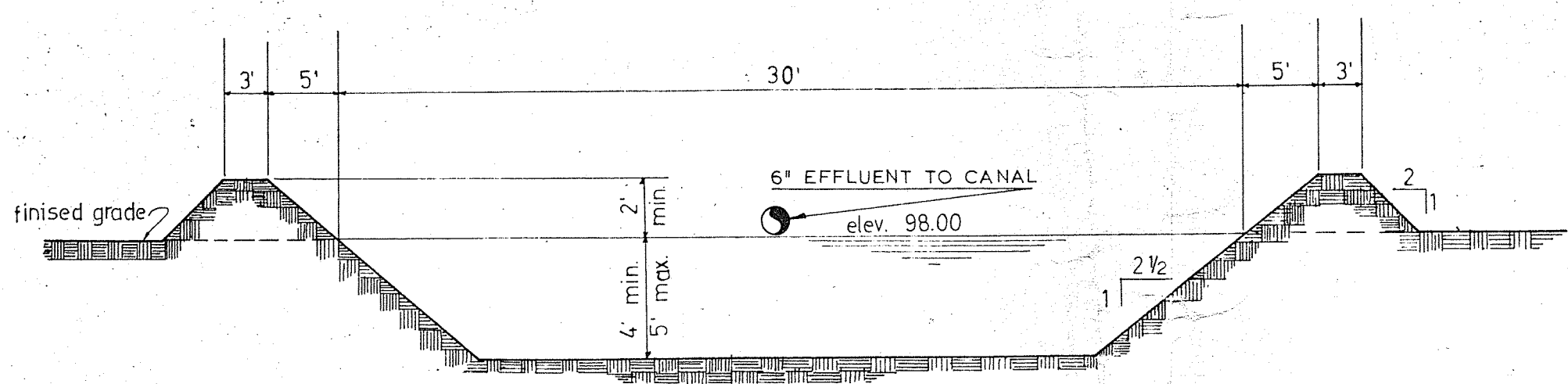


PROFILE
 SURVEYED, PLOTTED, CHECKED, NO. OF WAY CHECKED
 DATE, BY, NO.



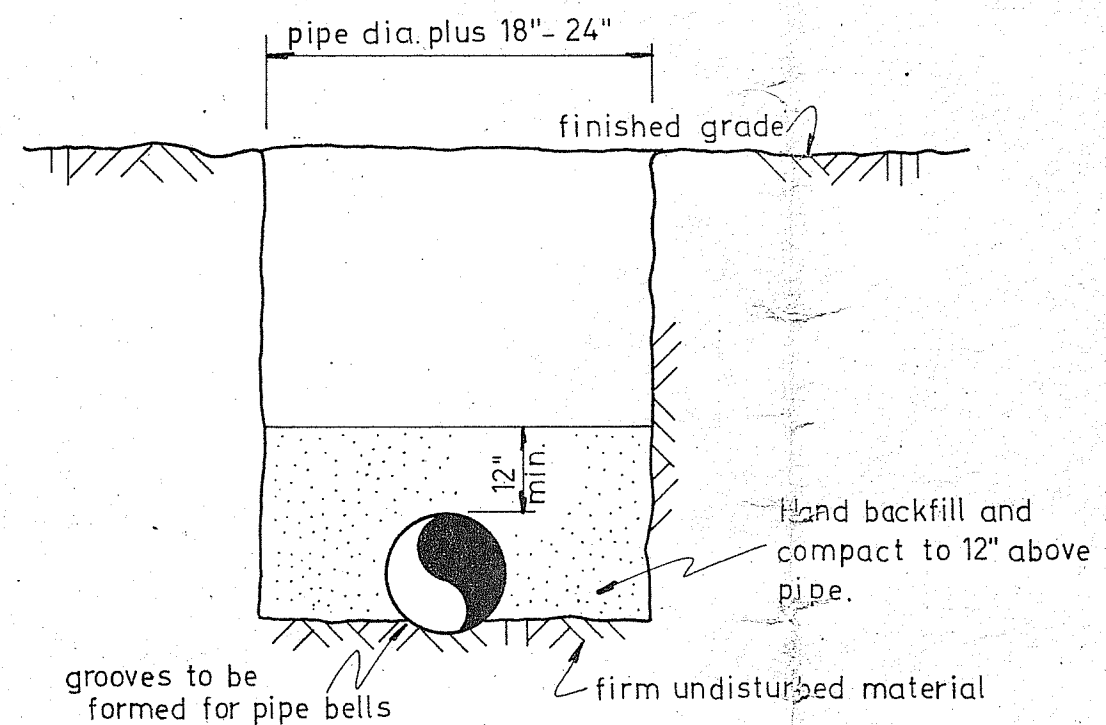
SCALES: HORIZ. 1"=40'
 VERT. 1"=2'

FOR: MR ALBERT J. SHOCKEY
 RIVER BEND
 PROFILES - SANITARY SEWAGE COLLECTION SYSTEM
 BY: WILLIAM H. REESE, PE.
 DWG. NO. 0124-B DATE 9/22/69

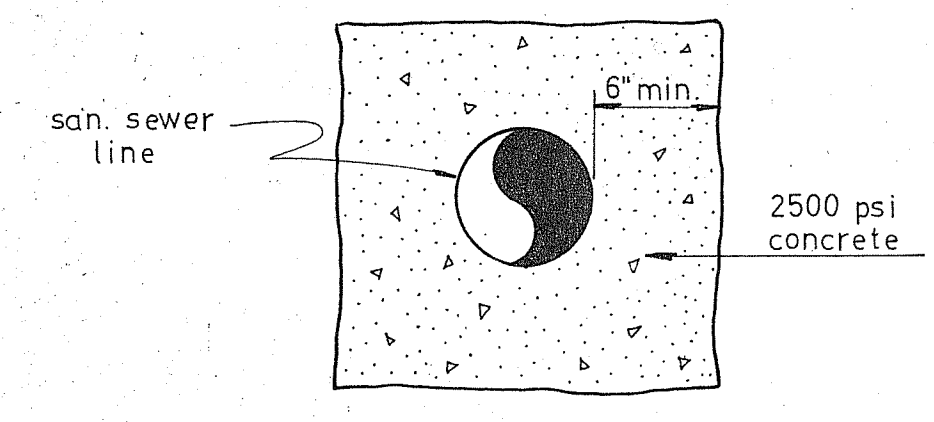


- NOTES:
1. Remove all rubbish vegetation and organic material from pond site.
 2. Embankments shall be earth rolled fill type.
 3. Seed all embankment slopes above water line with grass seed.
 4. Provide rock rip-rap spillway for effluent line to canal.

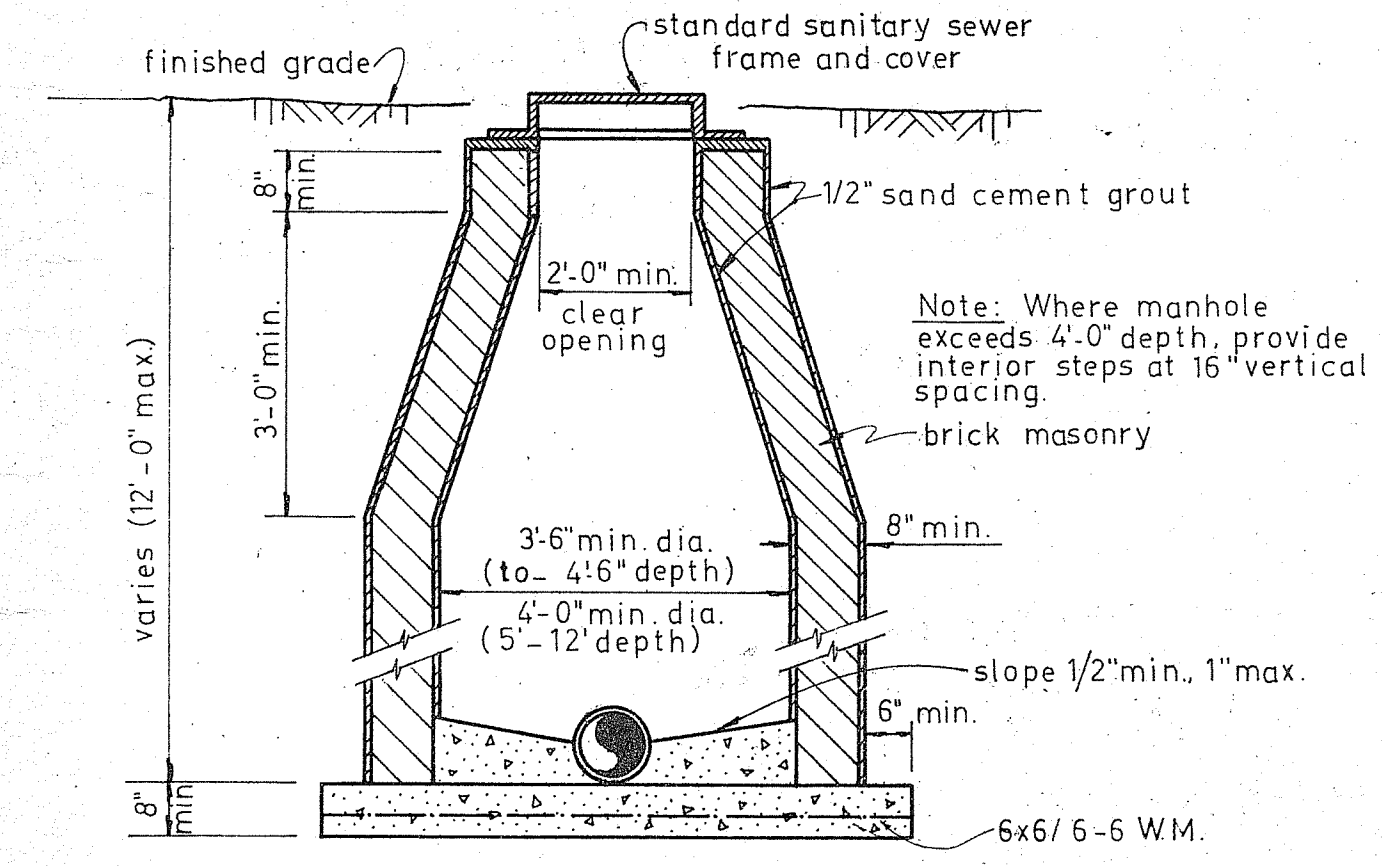
SECTION - POLISHING POND
NOT TO SCALE



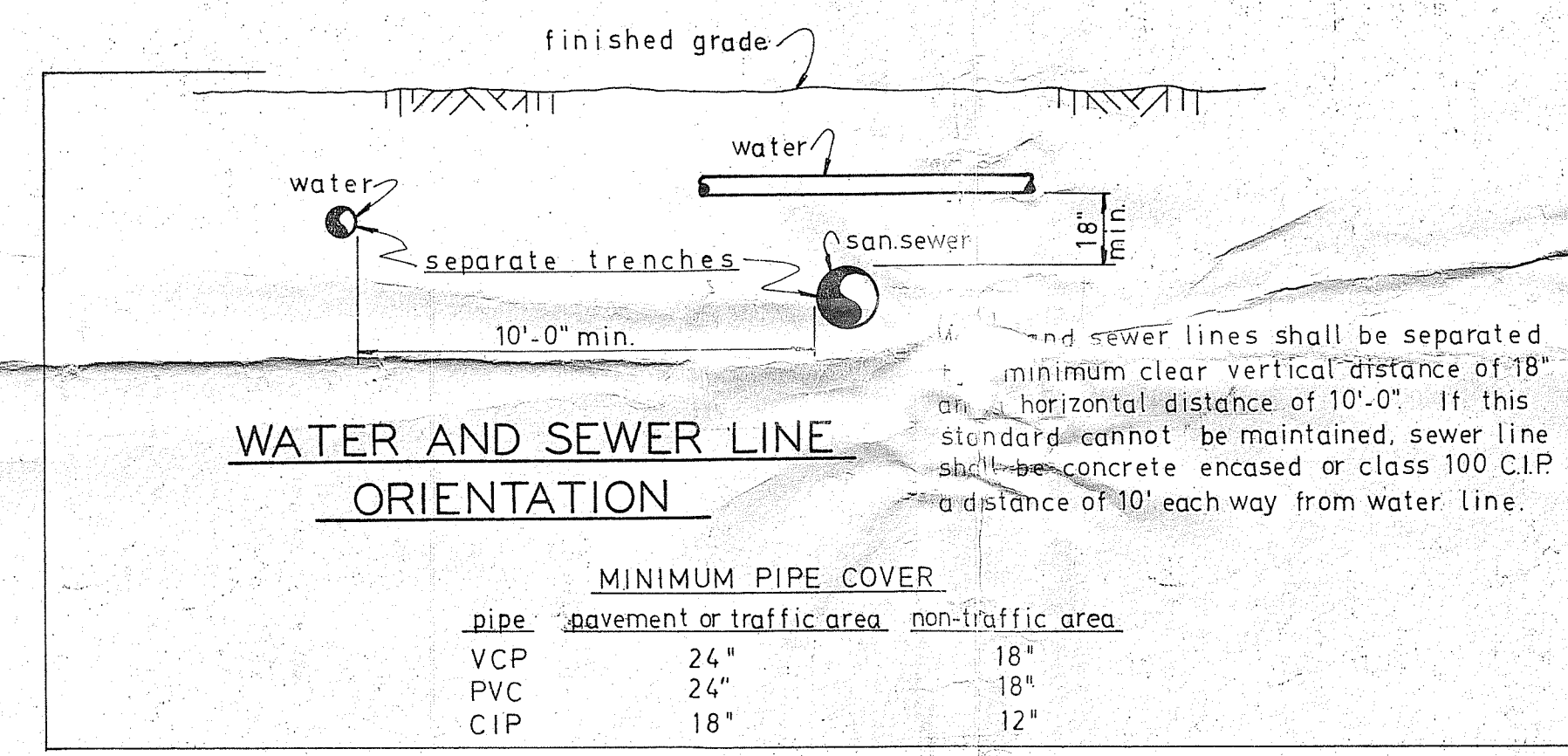
TRENCH & BACKFILL DETAIL



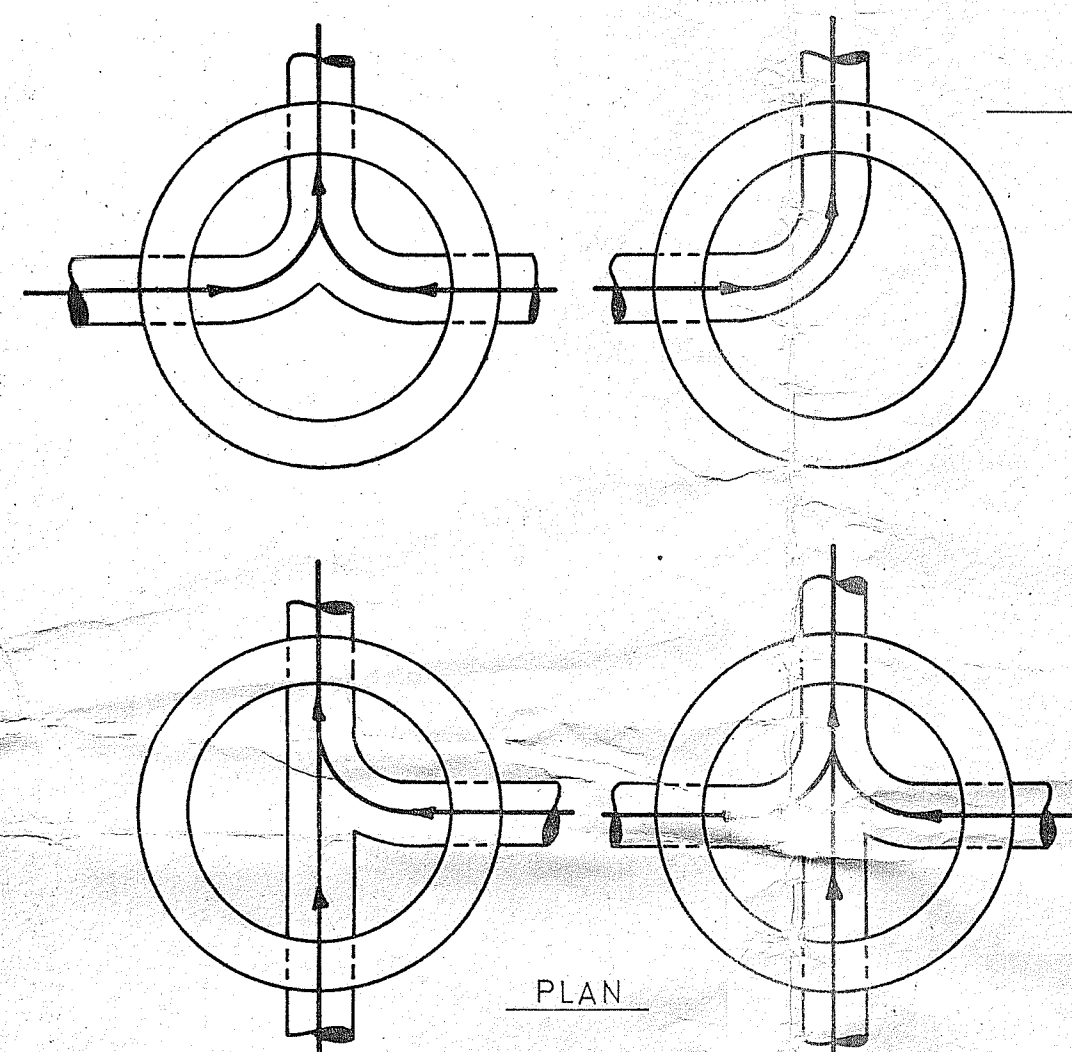
ENCASEMENT DETAIL



STANDARD MANHOLE - TYP. SEC.

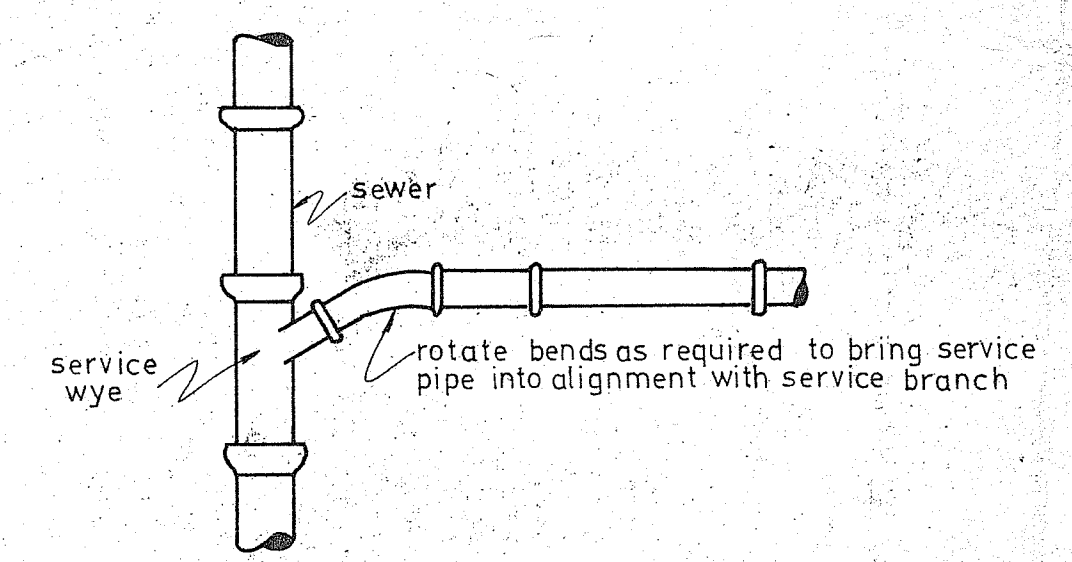


WATER AND SEWER LINE ORIENTATION

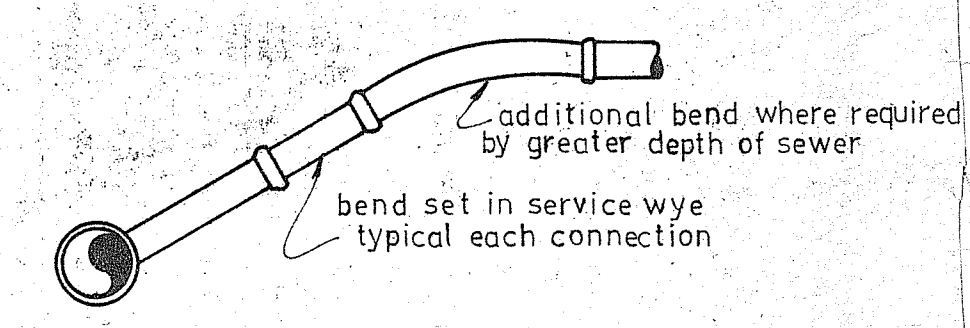


FLOW PATTERNS FOR BOTTOM OF MANHOLES

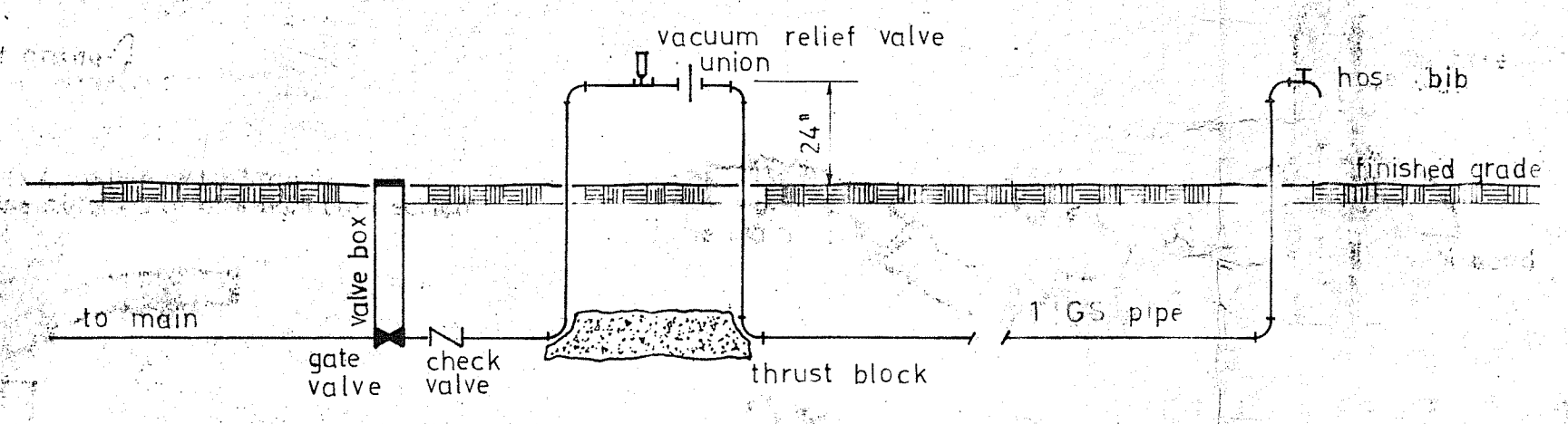
- NOTES:
1. Provide spillway for smooth flow between pipes with different invert elevation.
 2. Slope manhole shelf with 1/2" min. to 1" max. drop from manhole wall to channel.



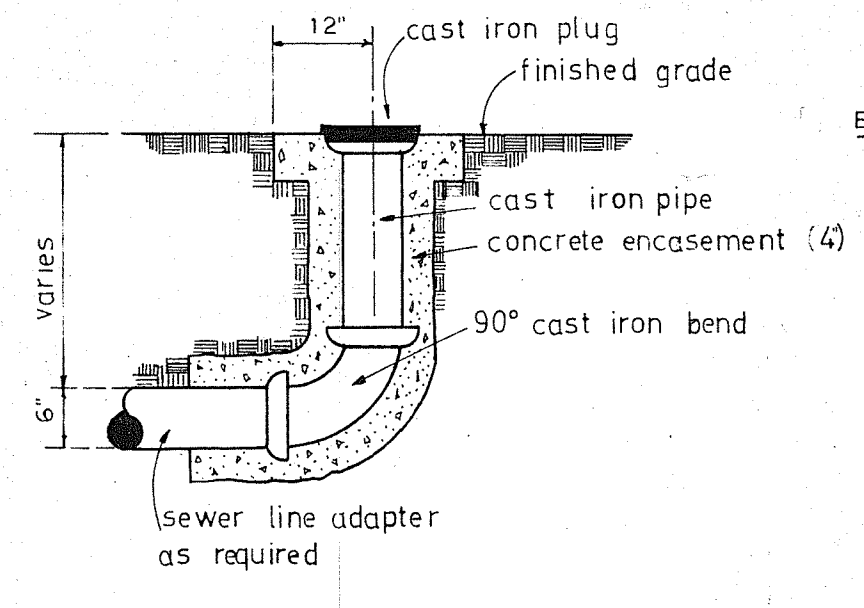
SHALLOW CONNECTION - PLAN
(less than 6'-0" deep)



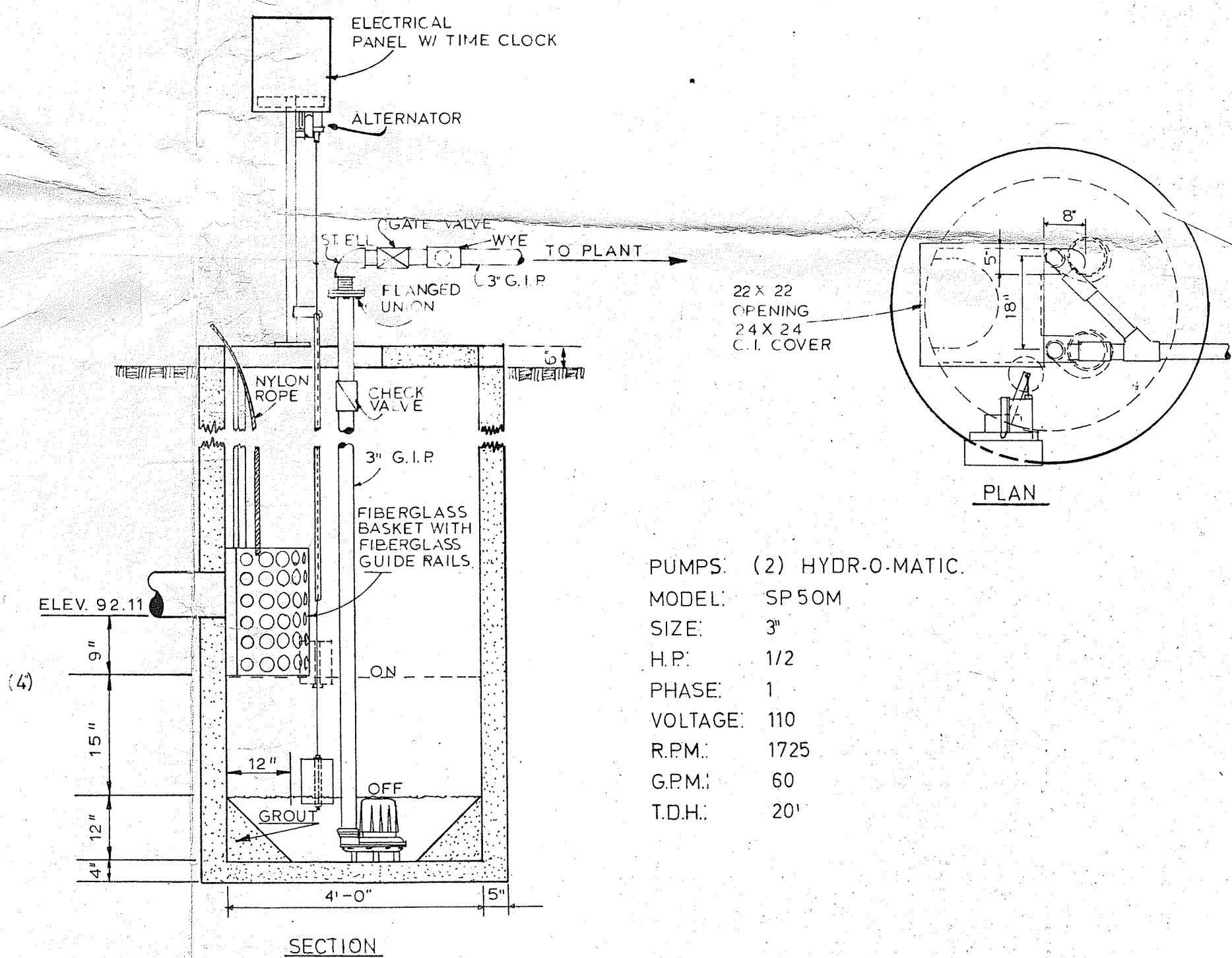
SHALLOW CONNECTION - SECTION
(less than 6'-0" deep)



DETAIL OF HOSE BIB AT PLANT

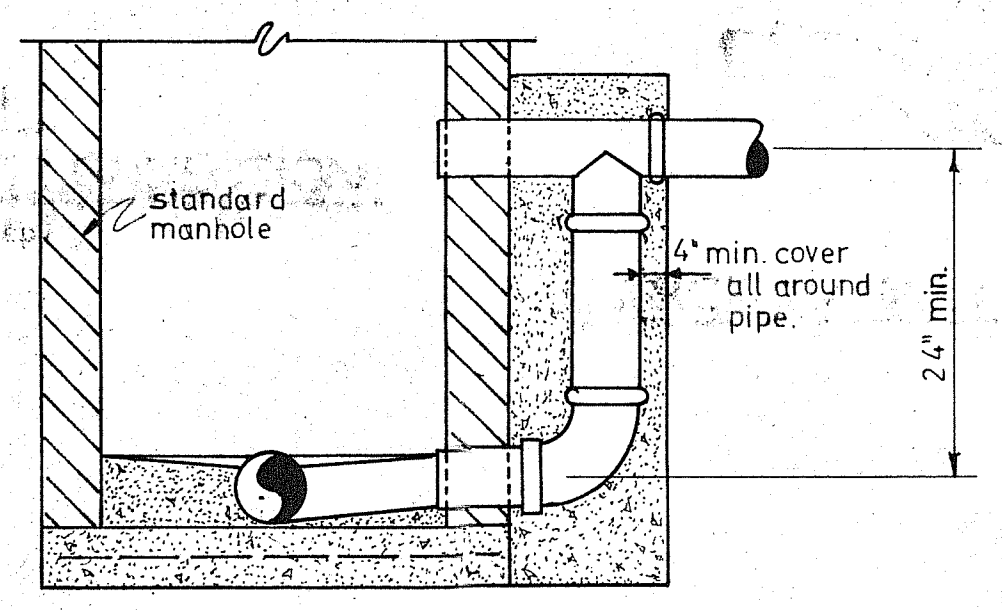


CLEANOUT

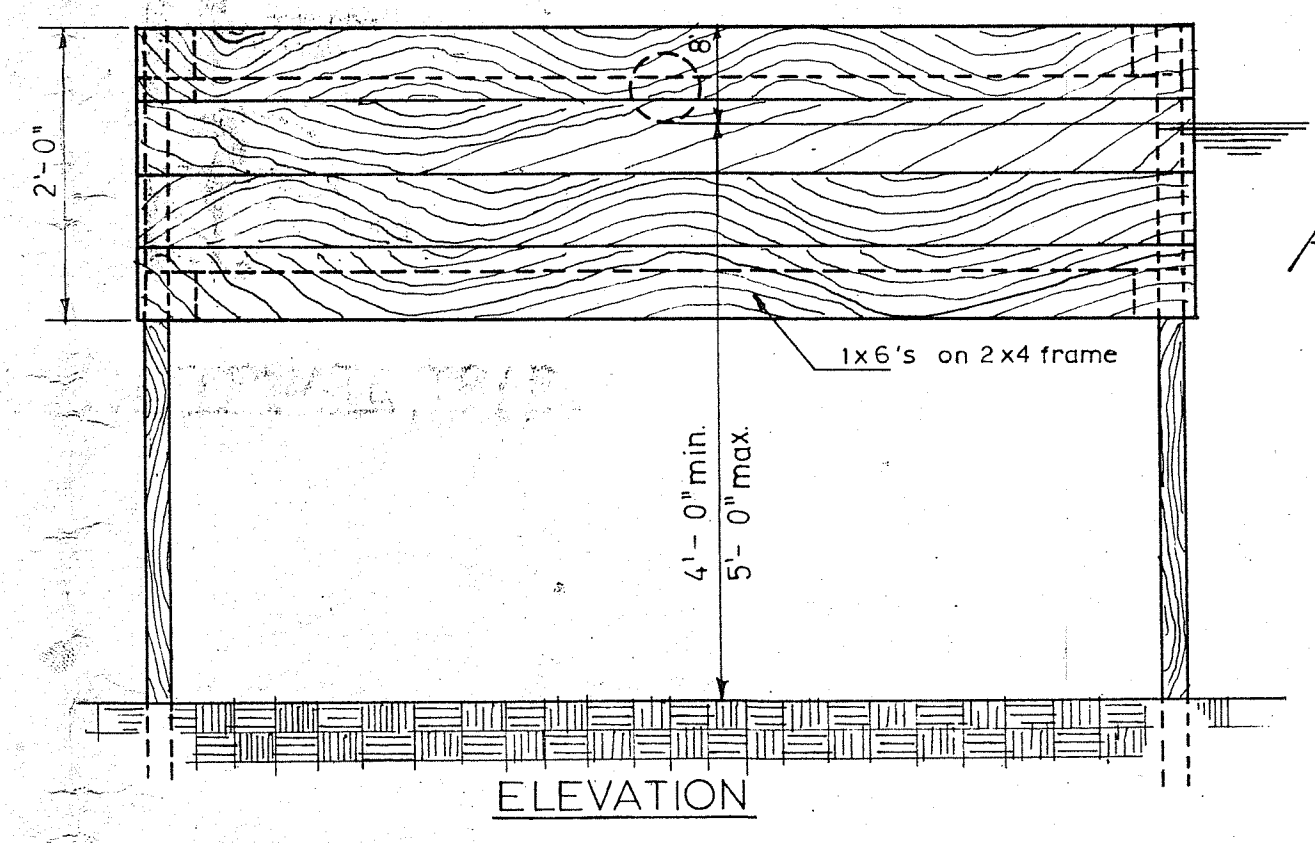


LIFT STATION

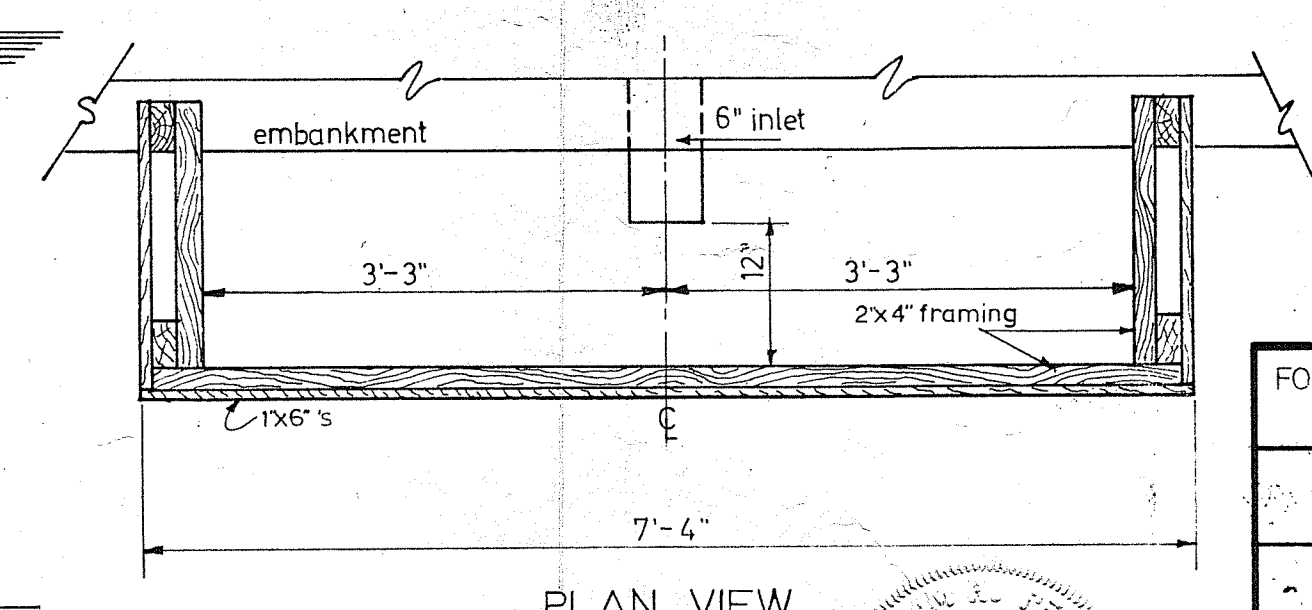
- PUMPS: (2) HYDR-O-MATIC.
MODEL: SP50M
SIZE: 3"
H.P.: 1/2
PHASE: 1
VOLTAGE: 110
R.P.M.: 1725
G.P.M.: 60
T.D.H.: 20'



DROP CONNECTION - MH.#3



ELEVATION



PLAN VIEW

OVERFLOW LINE BAFFLE

- REVISED 11/3/69
1. ADD OVERFLOW LINE BAFFLE.
2. ADD GROUT HOPPER IN LIFT STA. WET WELL.
3. ADD DETAIL DROP MH. #3.

FOR: **MR. ALBERT J. SHOCKEY**
RIVER BEND

BY: **WILLIAM H. REESE, PE.** POST OFFICE BOX 2391
NAPLES, FLORIDA 33940

DWG. NO. 0124-D DATE: 9/18/69