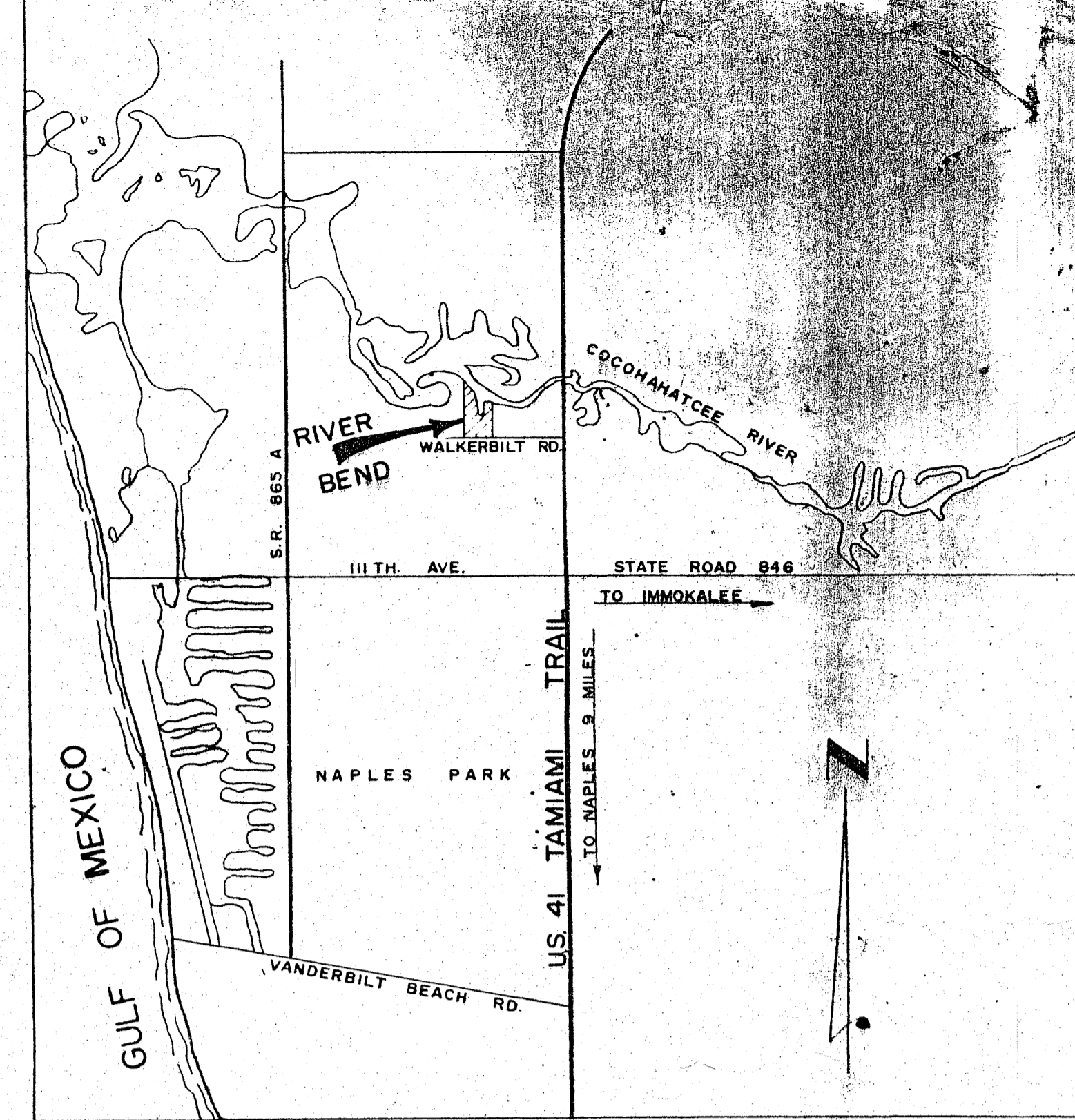
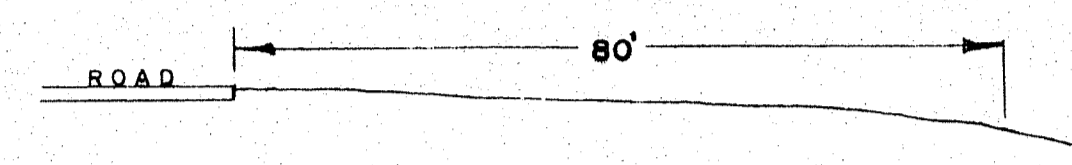


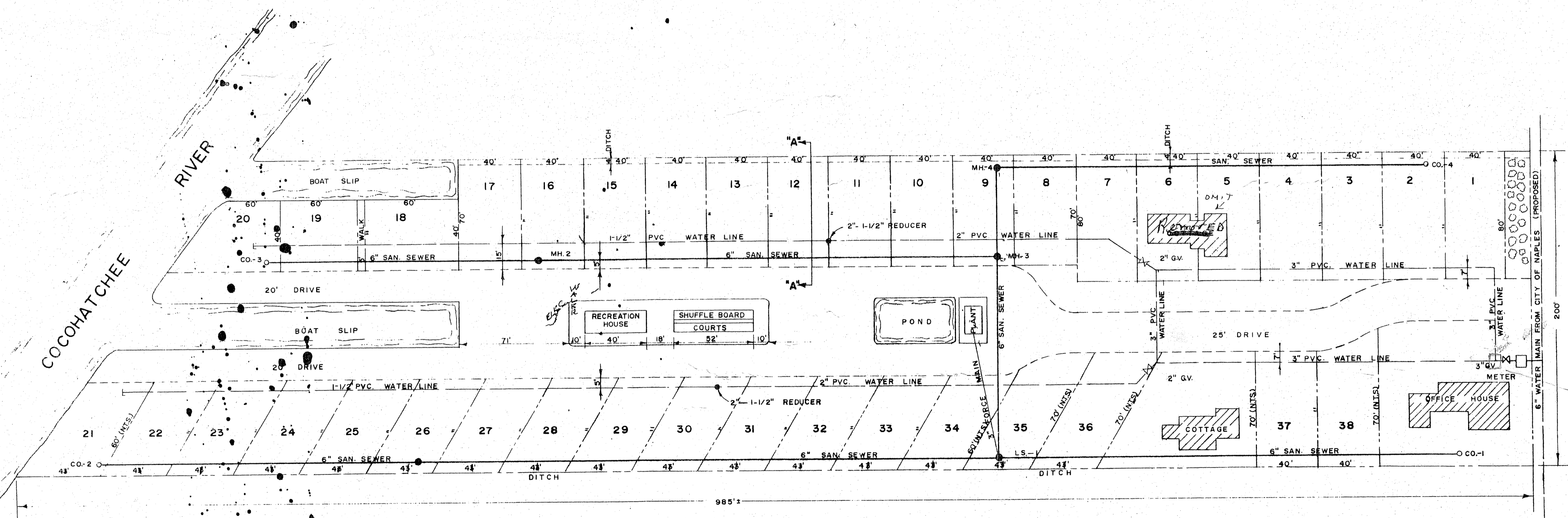
1



LOCATION SKETCH



SECTION "A-A"
SCALE 1" = 20'
TYPICAL LOT

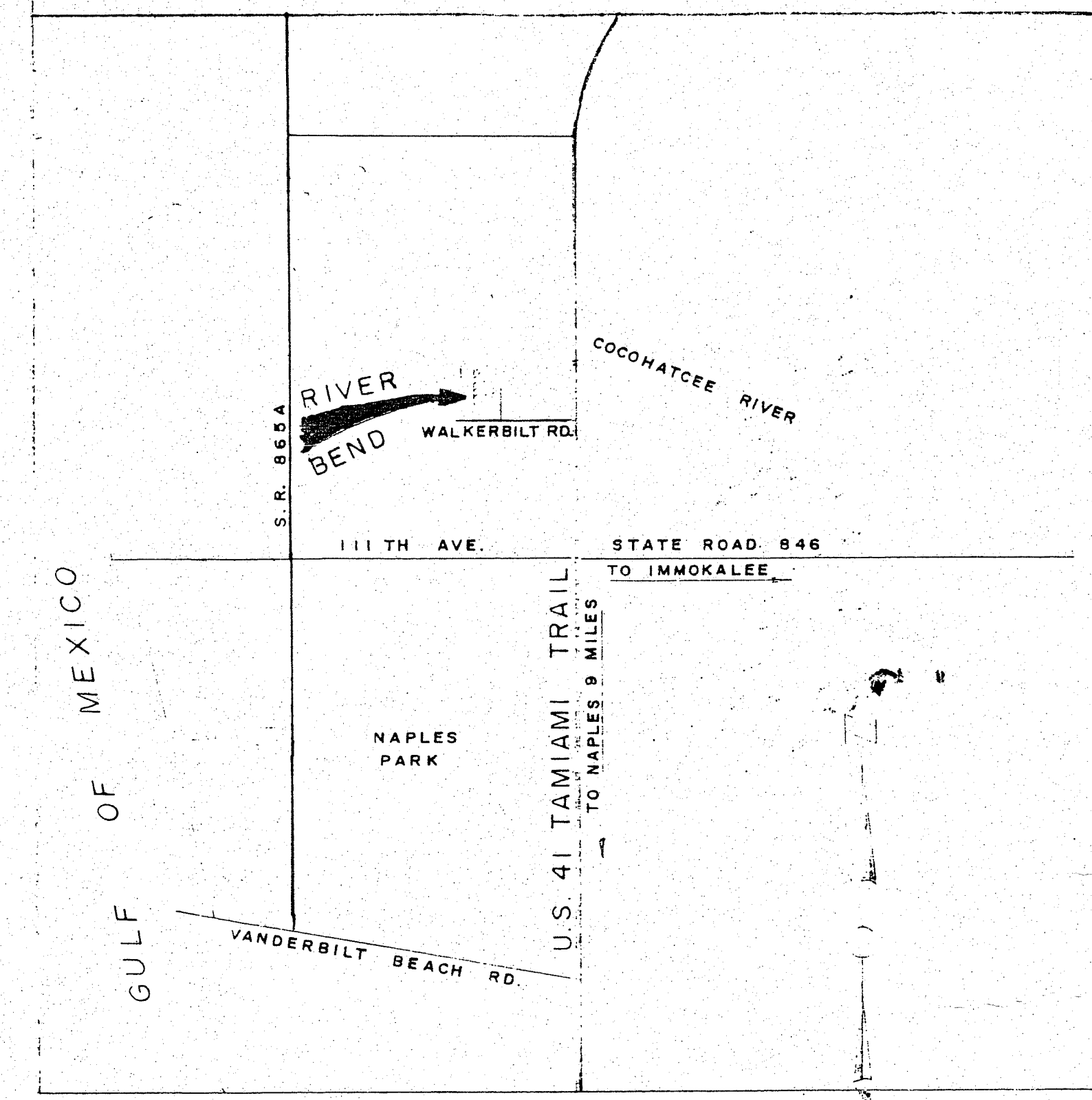


LOT PLAN
SCALE 1" = 40'

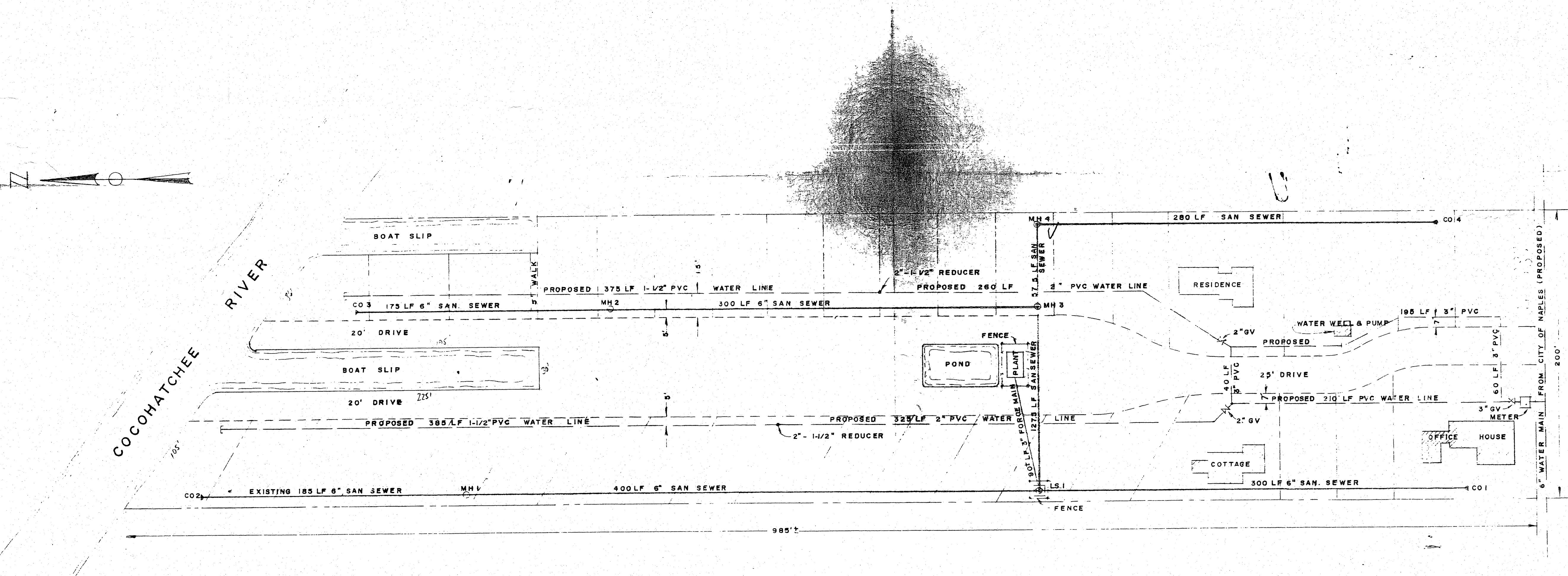
8' from main shutoff

FOR AL SHOCKEY		BRUCE GREEN & ASSOCIATES, INC.	
RIVER BEND		LAND SURVEYORS & ENGINEERS	
TRAILER PARK		NAPLES, FLORIDA	
BOOK	PAGE	W.O.	
DRAWN BY W/M	DATE 6/12/72		
SCALE AS NOTED	FILE NO. 4C-1		

2



VICINITY MAP
NO SCALE



PLOT PLAN
SCALE 1" = 40'

NOTE:
WATER LINE TO HAVE A MIN VERTICAL SEPARATION OF 18 INCHES WHERE CROSSING SEWER LINE OR FORCE MAIN

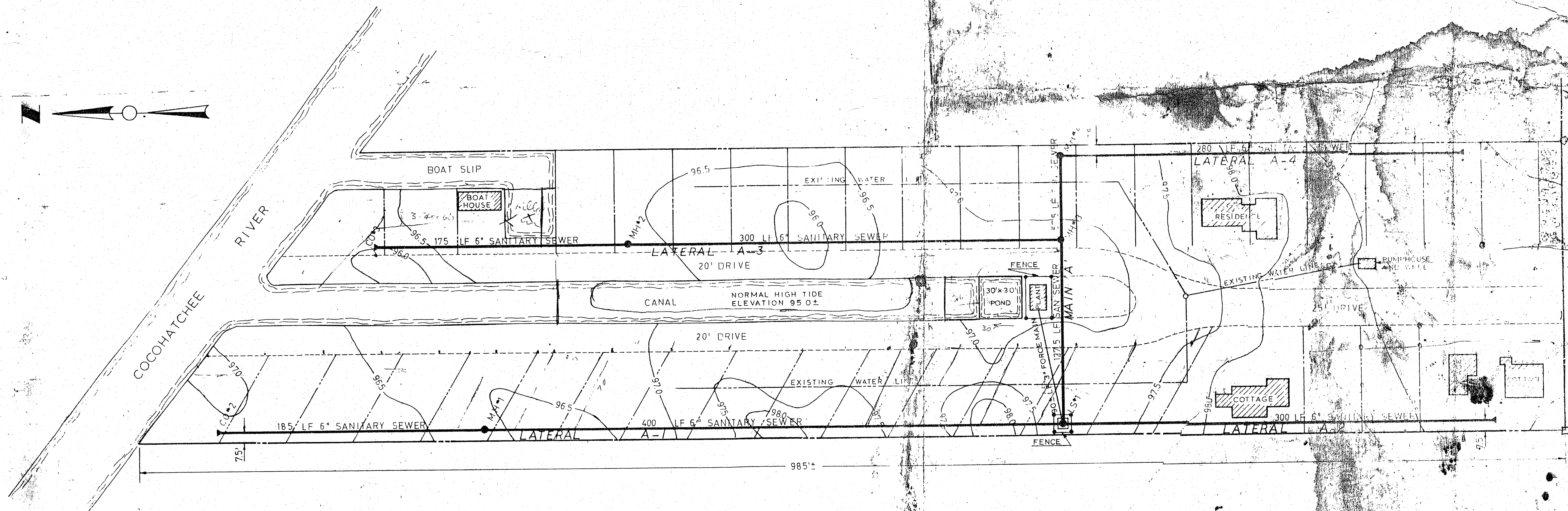
APPROVED BY
STATE OF FLORIDA
DEPARTMENT OF HEALTH AND REHABILITATIVE SERVICES
DIVISION OF HEALTH
BUREAU OF SANITATION
SIDNEY A. BERKOWITZ, CHIEF
Date NOV 15 1971
Serial No. 5892 AD
FOR THE ADMINISTRATOR
NOTE: THIS APPROVAL IS APPLICABLE TO COVER PRELIMINARY DESIGN
REGISTERED ENGINEER

FOR AL. SHOCKEY	BRUCE GREEN & ASSOCIATES, INC.
INTERNAL WATER DISTRIBUTION SYSTEM	ENGINEERING LAND SURVEYING, PLANNING
RIVER BEND TRAILER PARK	NAPLES, FLORIDA
BOOK	PAGE
DRAWN BY CK	DATE 7-15-71
SCALE NOTED	FILE NO.

Handwritten signature

3

RIVER BEND



PLOT PLAN
SCALE

- NOTES**
1. CONTOURS SHOWN ARE EXISTING (9/6/69)
 2. BUILDINGS SHOWN ARE EXISTING (9/6/69)
 3. SANITARY SEWER SYSTEM IS PROPOSED FOR CONSTRUCTION
 4. WATER LINE LOCATIONS ARE APPROXIMATE AND SHALL BE VERIFIED BY CONTRACTOR PRIOR TO SEWER LINE CONSTRUCTION (SEE SHEET 4 FOR REQUIRED CONSTRUCTION DETAILS)

SEWAGE FLOW DATA

1. 38 Trailer sites @ 150 GPD	5100
2. 3 Cottages @ 225 GPD	675
Total estimated sewage flow	5775 GPD

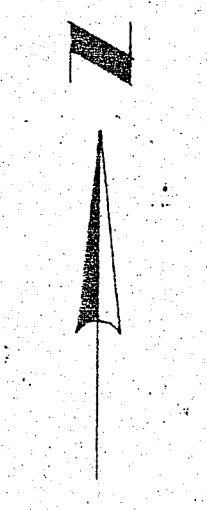
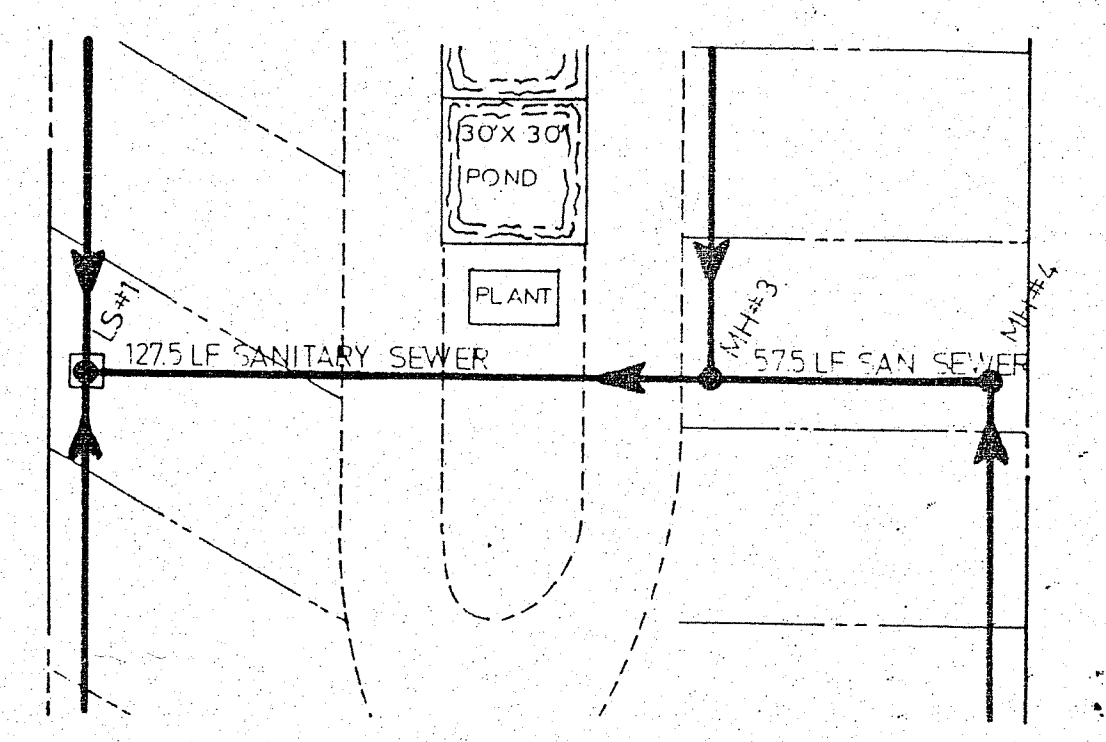
NOTE: EXISTING RESIDENCE IS ALTERNATE FOR TWO PROPOSED TRAILER SITES

- CONSTRUCTION NOTES**
1. ADJUST MANHOLE RIM ELEV. TO 0.20 ABOVE FINISHED GRADE.
 2. PLASTIC SEWER PIPE SHALL CONFORM TO CS-22B LATEST REV.
 3. FORCE MAIN SHALL BE 3" DOMESTIC GALVANIZED IRON PIPE.
 4. INSTALL ALL EQUIPMENT IN ACCORDANCE WITH MANUFACTURERS RECOMMENDATIONS
 5. BASIS FOR ELEVATIONS ASSUMED.
 6. PROVIDE HOSE BIB AT PLANT SITE. SEE DETAIL SHEET 4.

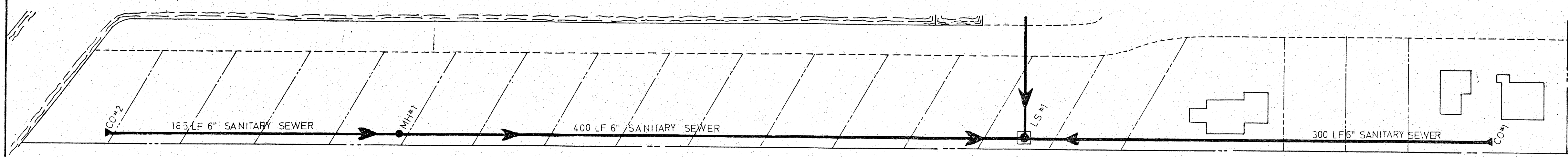
NOT TO BE USED FOR CONSTRUCTION

MR. ALBERT J. SHOCKEY
RIVER BEND
PROPOSED SANITARY SEWER COLLECTION SYSTEM
WILLIAM H. REESE, PE
NAPLES, FLORIDA

4



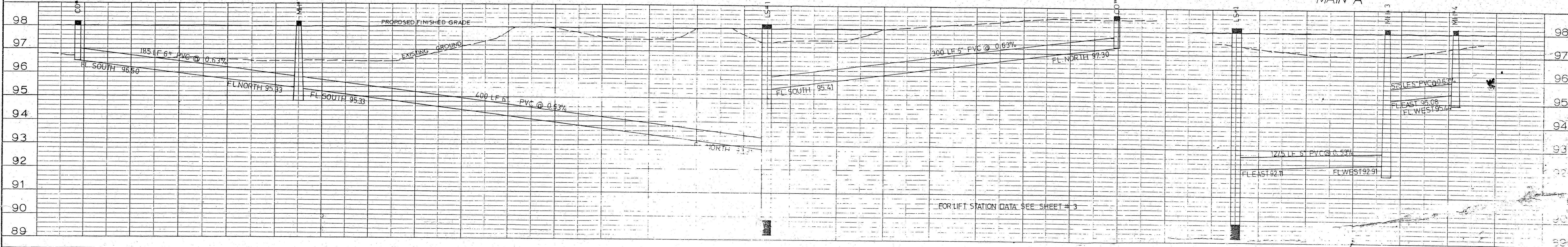
DATE: _____
 BY: _____
 SURVEILOR: _____
 PLOTTED: _____
 GRADES CHECKED: _____
 STRUCTURE NOTATION: CH-170
 NO. _____



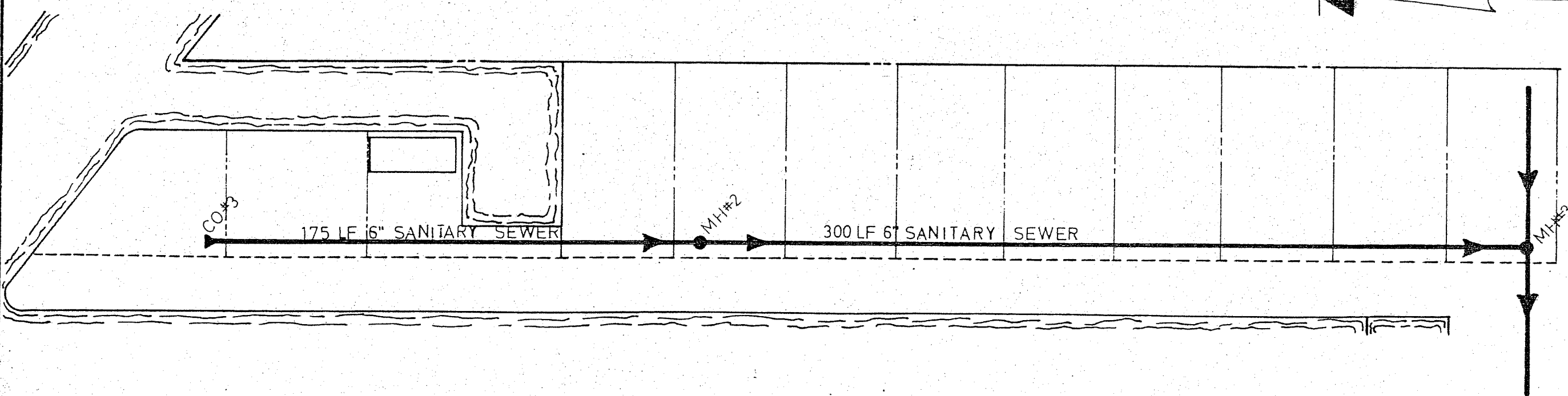
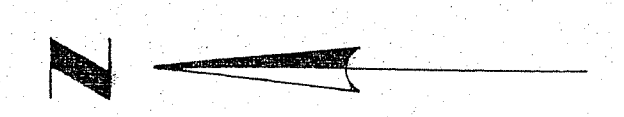
LATERAL A-1

LATERAL A-2

MAIN 'A'

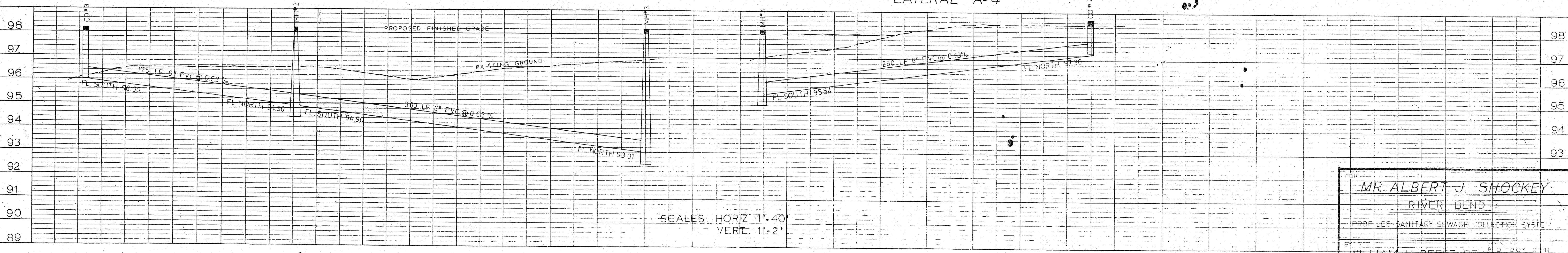


DATE: _____
 BY: _____
 SURVEILOR: _____
 PLOTTED: _____
 GRADES CHECKED: _____
 STRUCTURE NOTATION: CH-170
 NO. _____



LATERAL A-3

LATERAL A-4

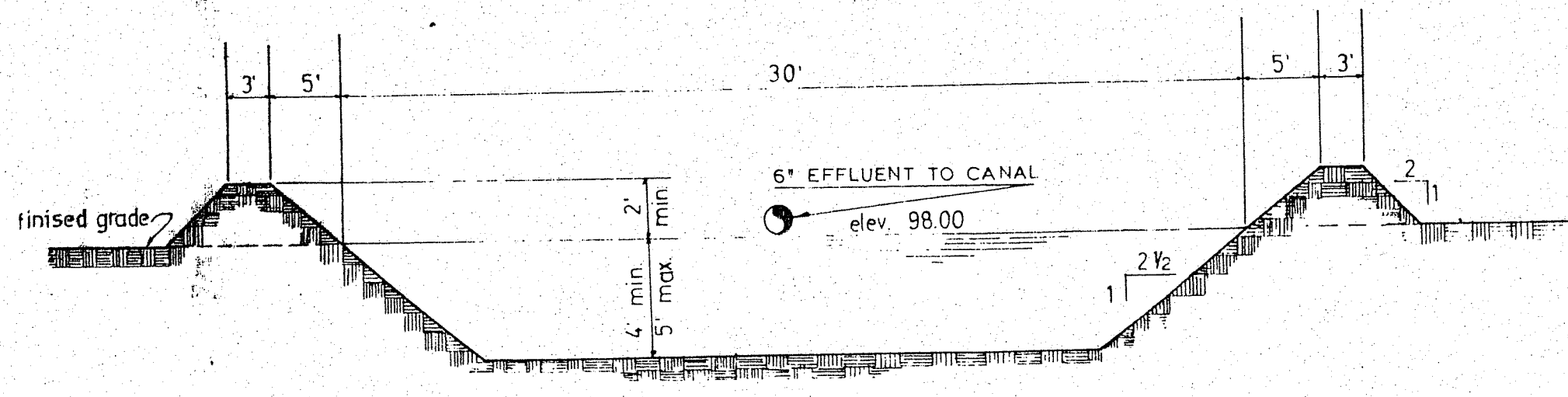


SCALES: HORIZ 1"=40'
VERT 1"=2'

NOT TO BE USED FOR CONSTRUCTION

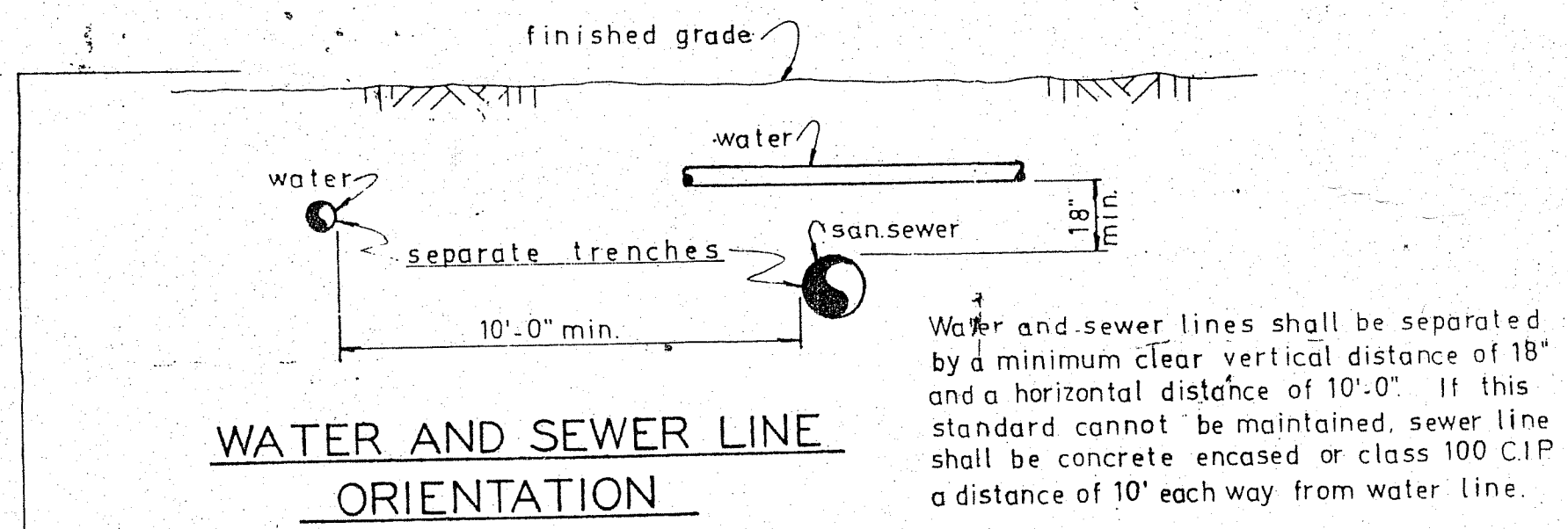
FOR: MR. ALBERT J. SHOCKEY
RIVER BEND
 PROFILES: SANITARY SEWAGE COLLECTION SYSTEM
 BY: WILLIAM H. REESE, P.E.
 DATE: _____

5



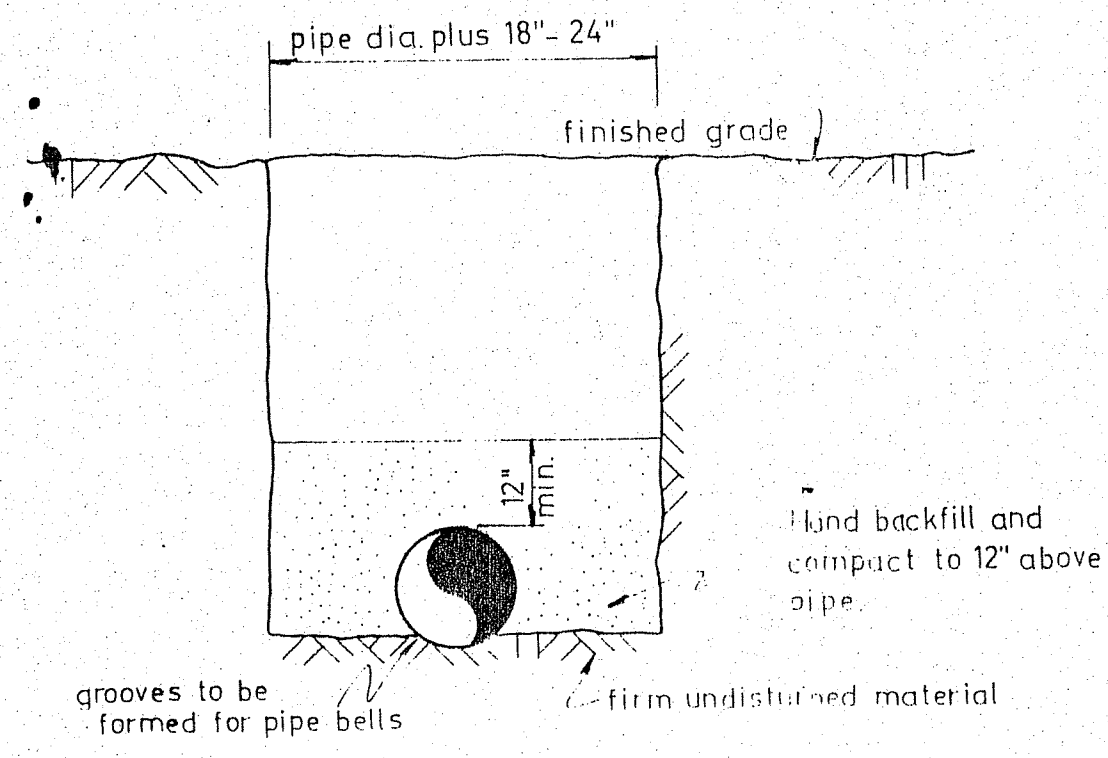
- NOTES:
1. Remove all rubbish vegetation and organic material from pond site.
 2. Embankments shall be earth rolled fill type.
 3. Seed all embankment slopes above water line with grass seed.
 4. Provide rock rip-rap spillway for effluent line to canal.

SECTION - POLISHING POND
NOT TO SCALE

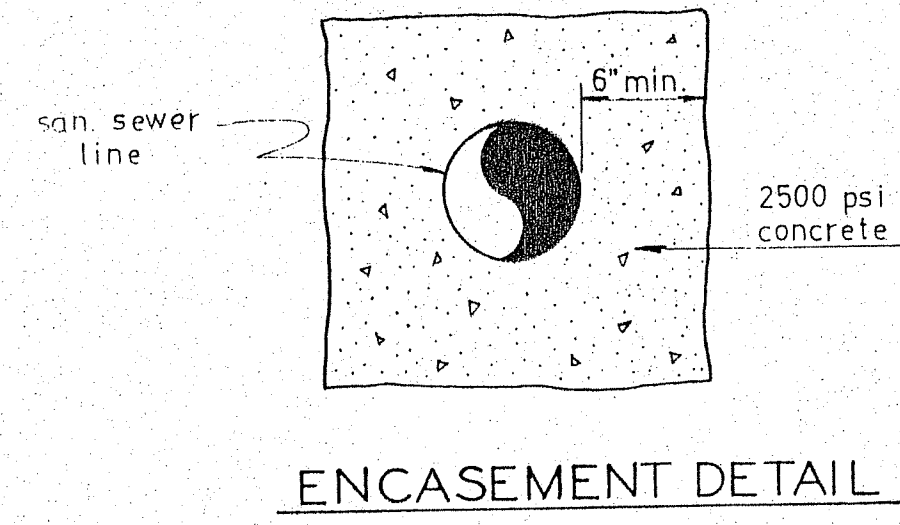


WATER AND SEWER LINE ORIENTATION

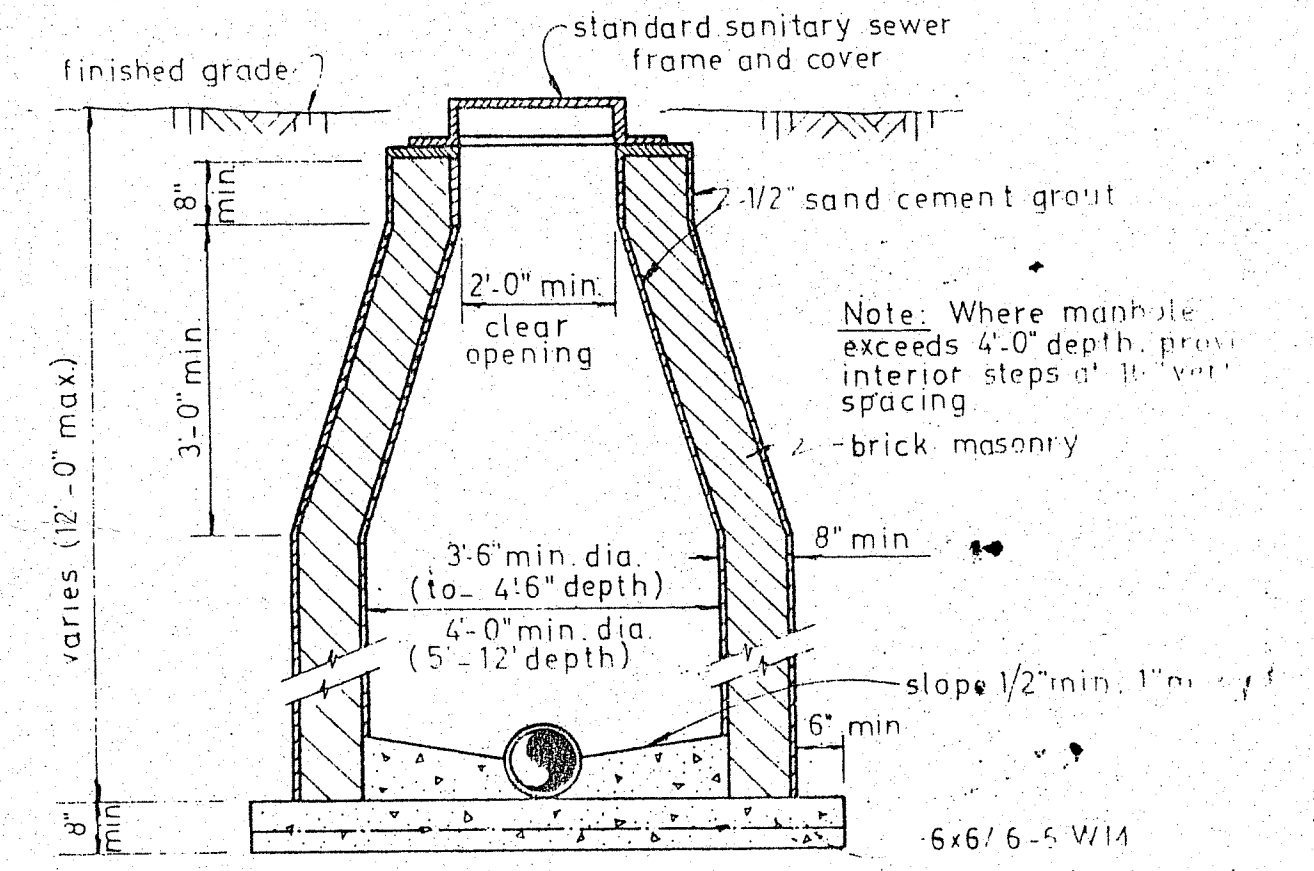
pipe	MINIMUM PIPE COVER	
	pavement or traffic area	non-traffic area
VCP	24"	18"
PVC	24"	18"
CIP	18"	12"



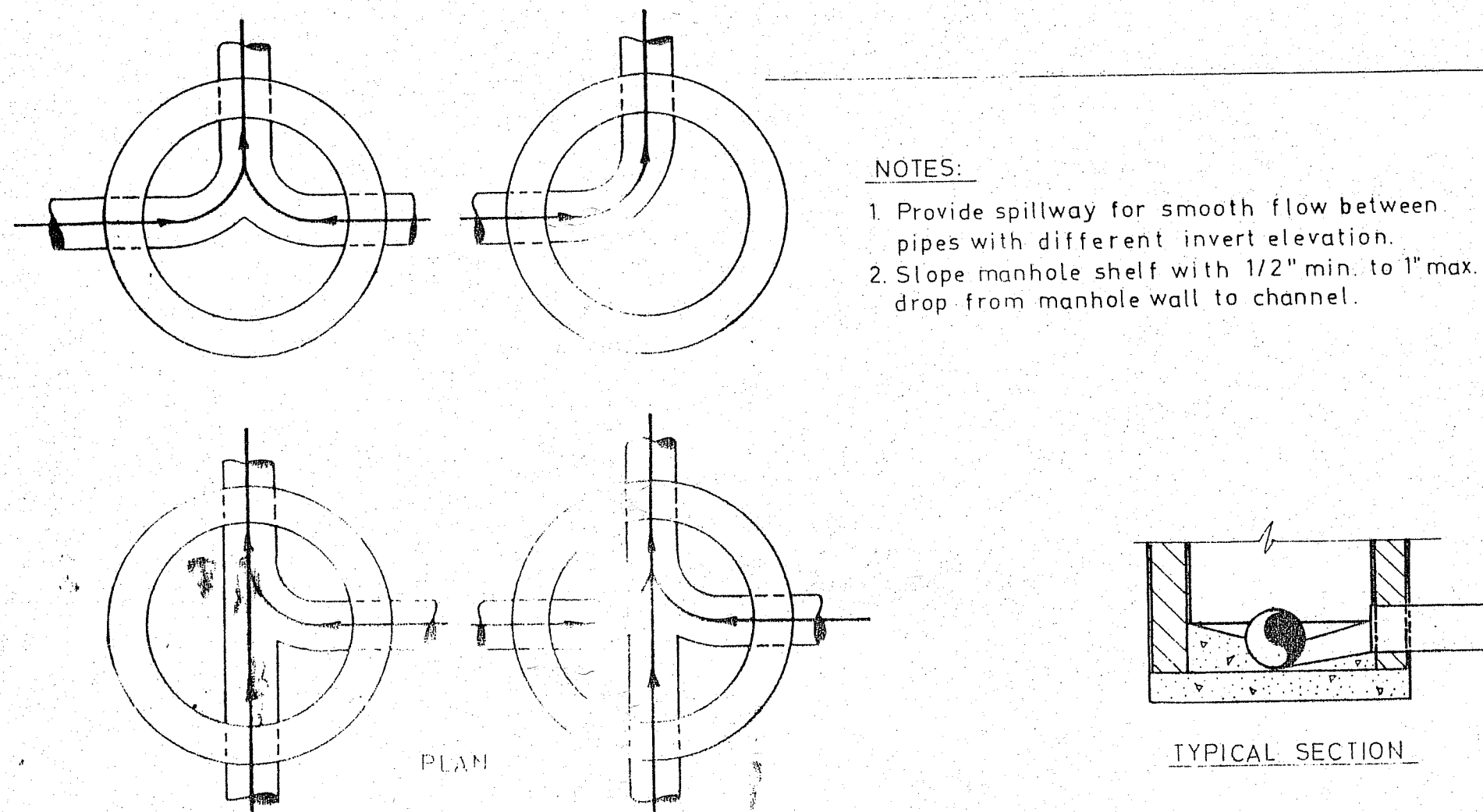
TRENCH & BACKFILL DETAIL



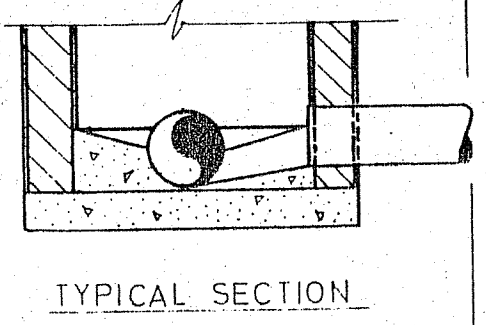
ENCASEMENT DETAIL



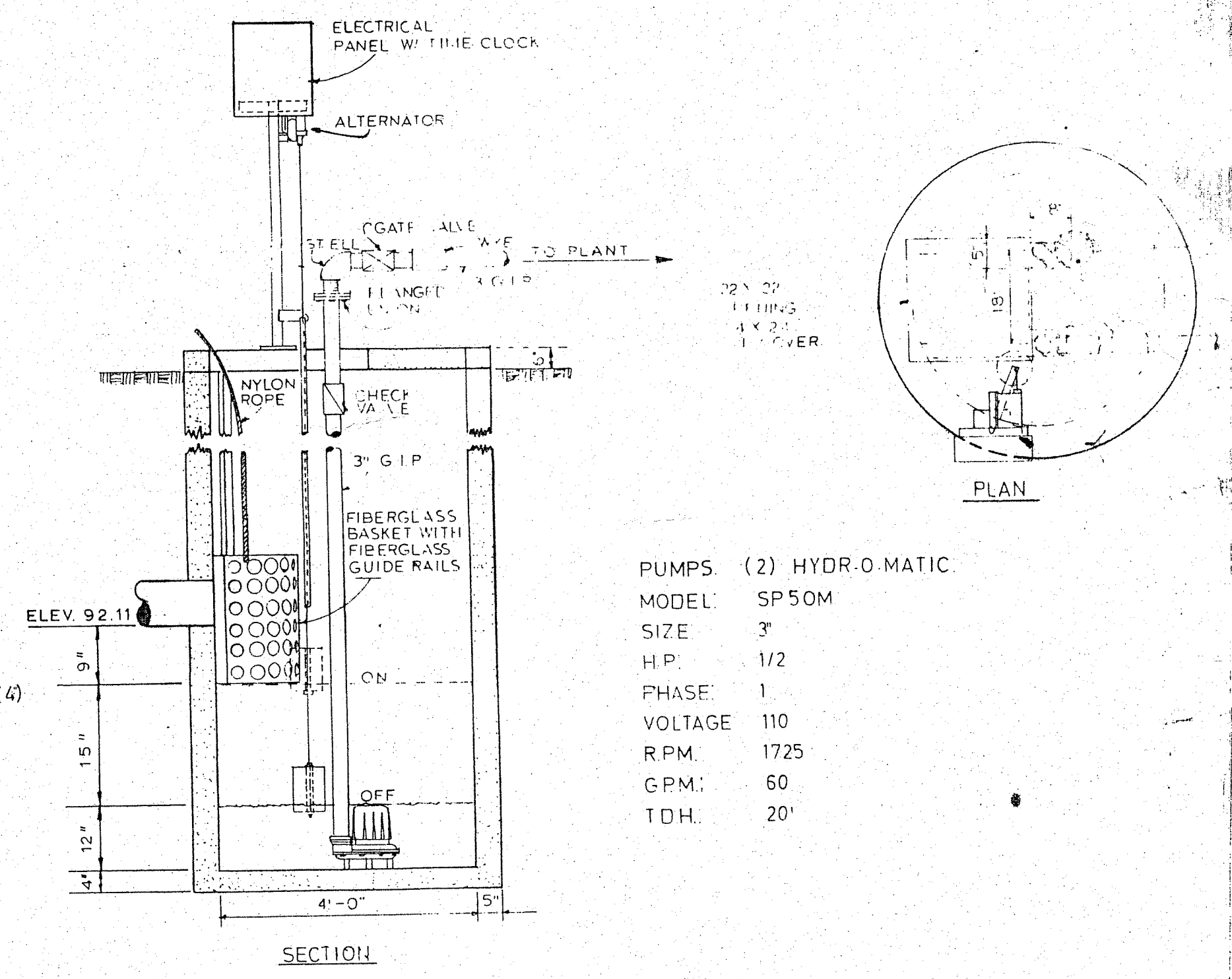
STANDARD MANHOLE - TYP. SEC.



FLOW PATTERNS FOR BOTTOM OF MANHOLES



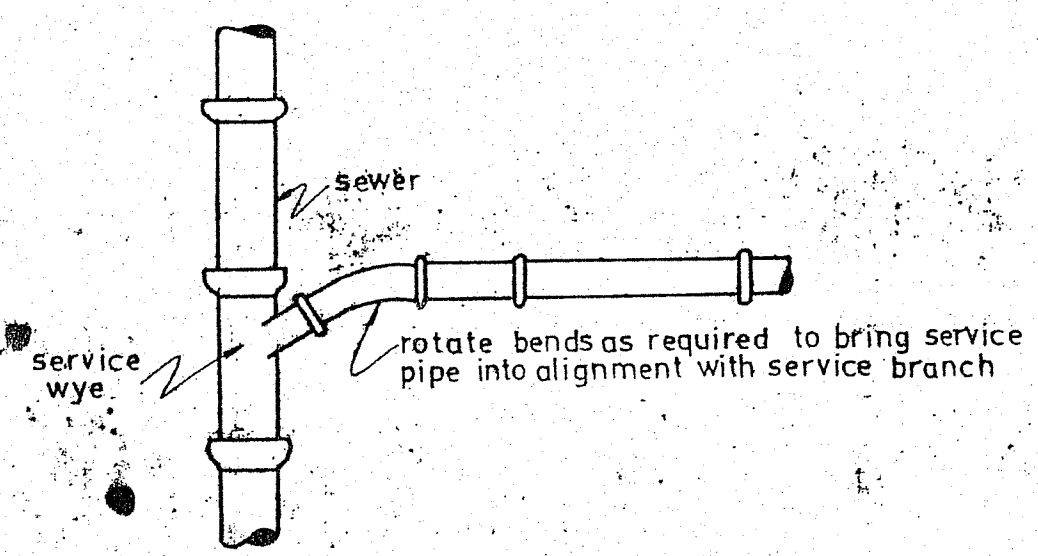
TYPICAL SECTION



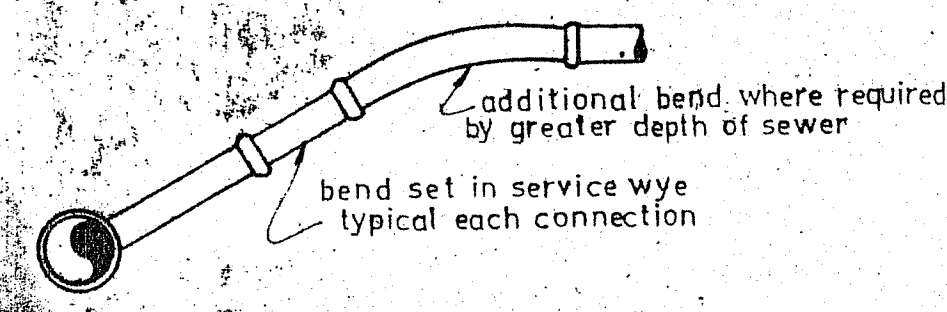
SECTION

- PUMPS (2) HYDR-O-MATIC
MODEL: SP50M
SIZE: 3"
HP: 1/2
PHASE: 1
VOLTAGE: 110
R.P.M.: 1725
G.P.M.: 60
TDH: 20'

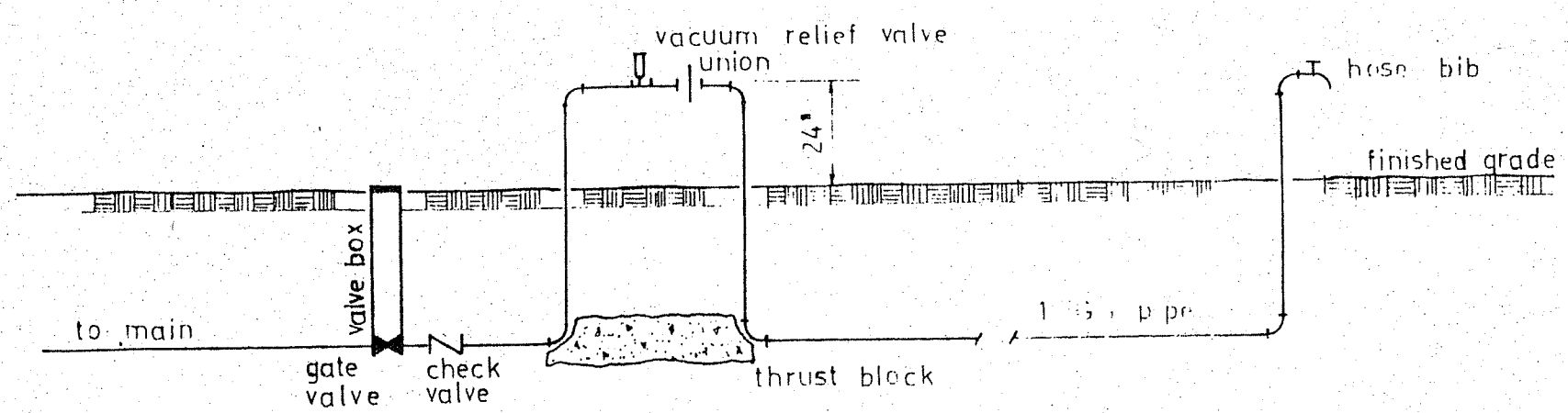
LIFT STATION



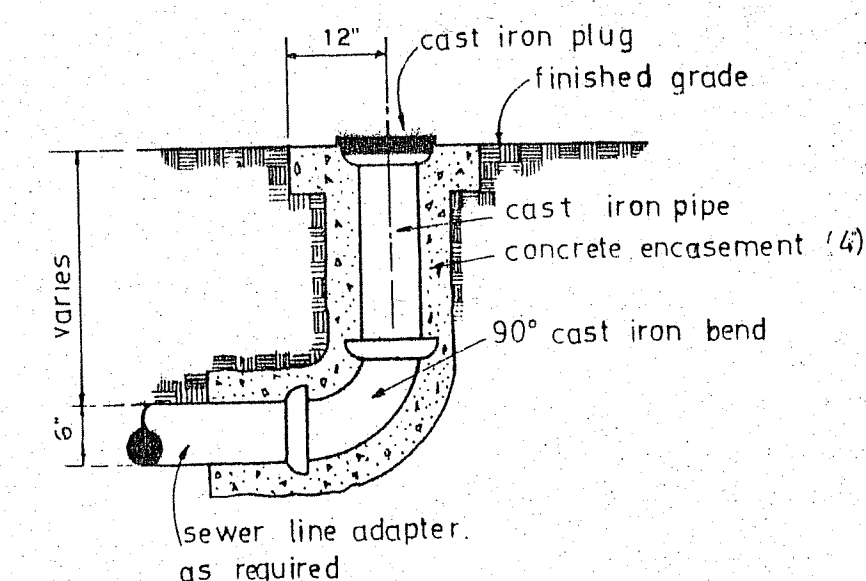
SHALLOW CONNECTION - PLAN
(less than 6'-0" deep)



SHALLOW CONNECTION - SECTION
(less than 6'-0" deep)



DETAIL OF HOSE BIB AT PLANT

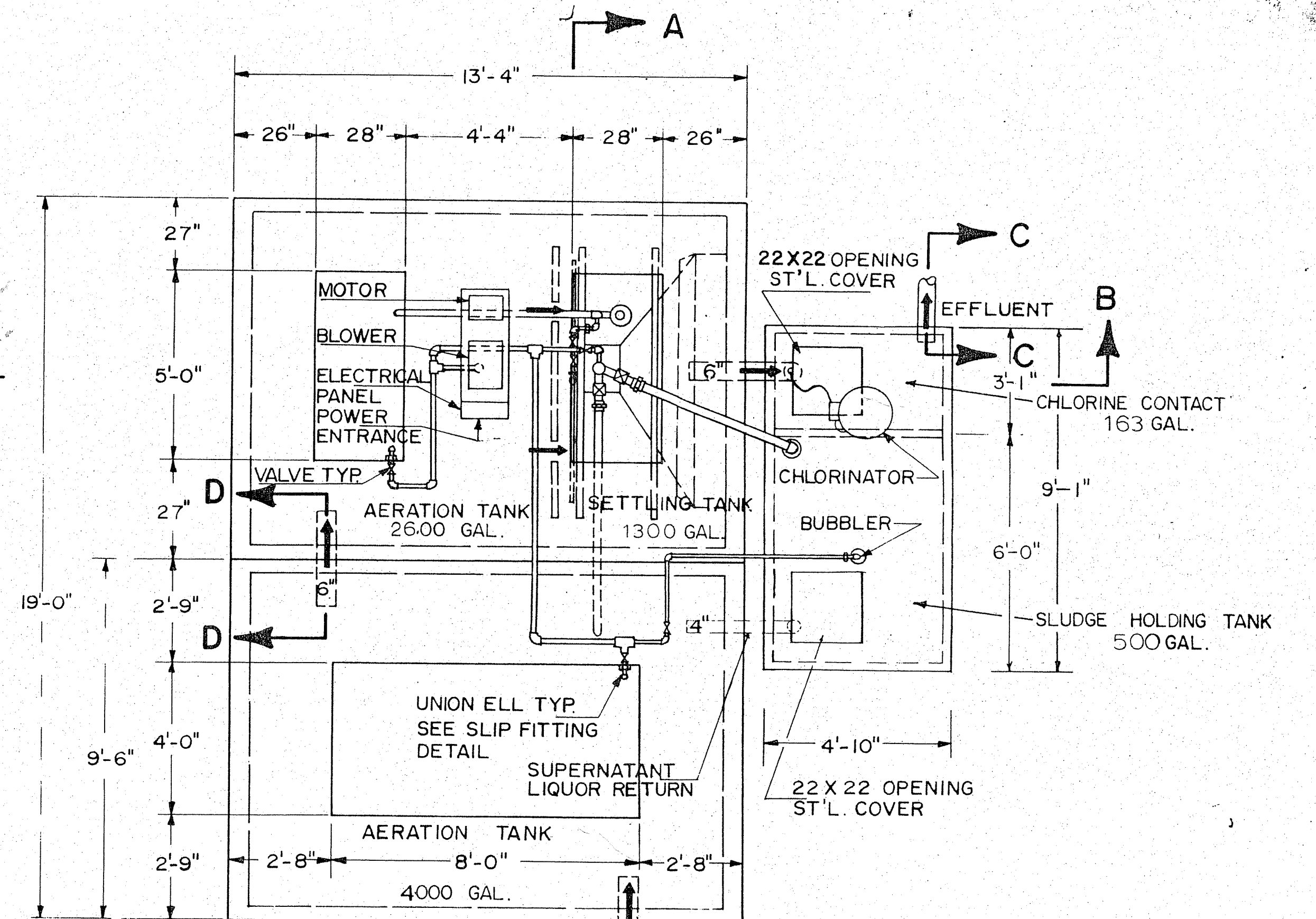
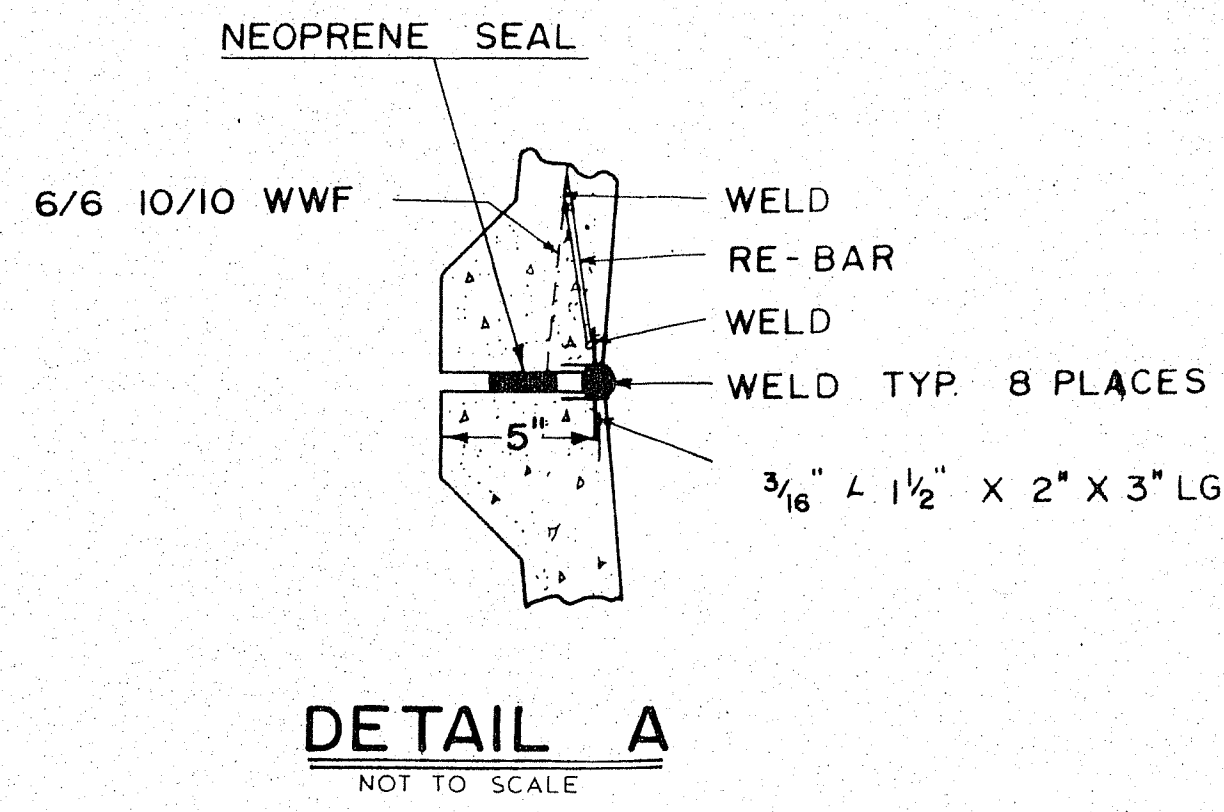
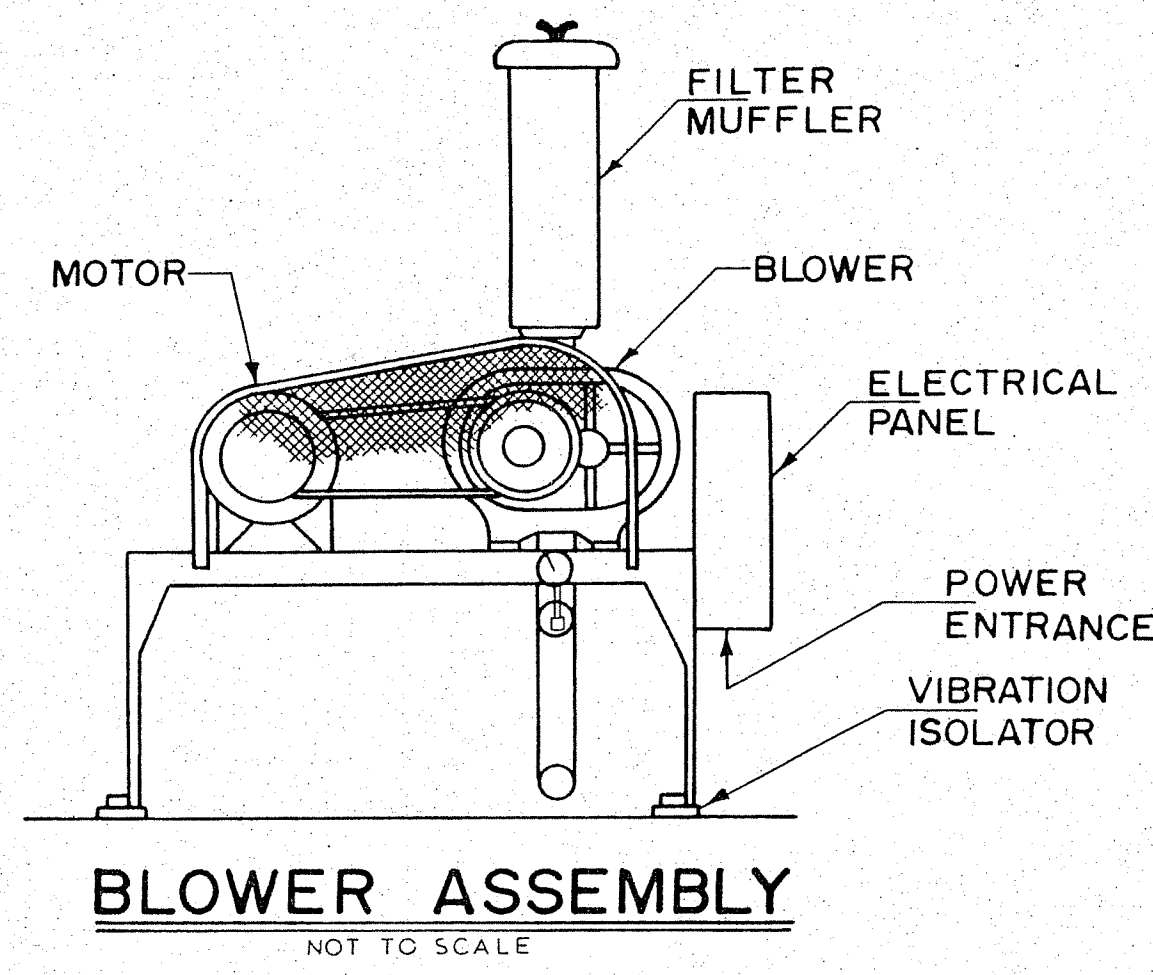


CLEANOUT

NOT TO BE USED FOR CONSTRUCTION

FOR:	MR. ALBERT J. SHOCKEY
	RIVER BEND
	SANITARY SEWER CONSTRUCTION DETAILS
BY:	WILLIAM H REESE, PE POST OFFICE BOX 1437 NAPLES FLORIDA 34101
DWG. NO.	0124-D
DATE:	2/18/69

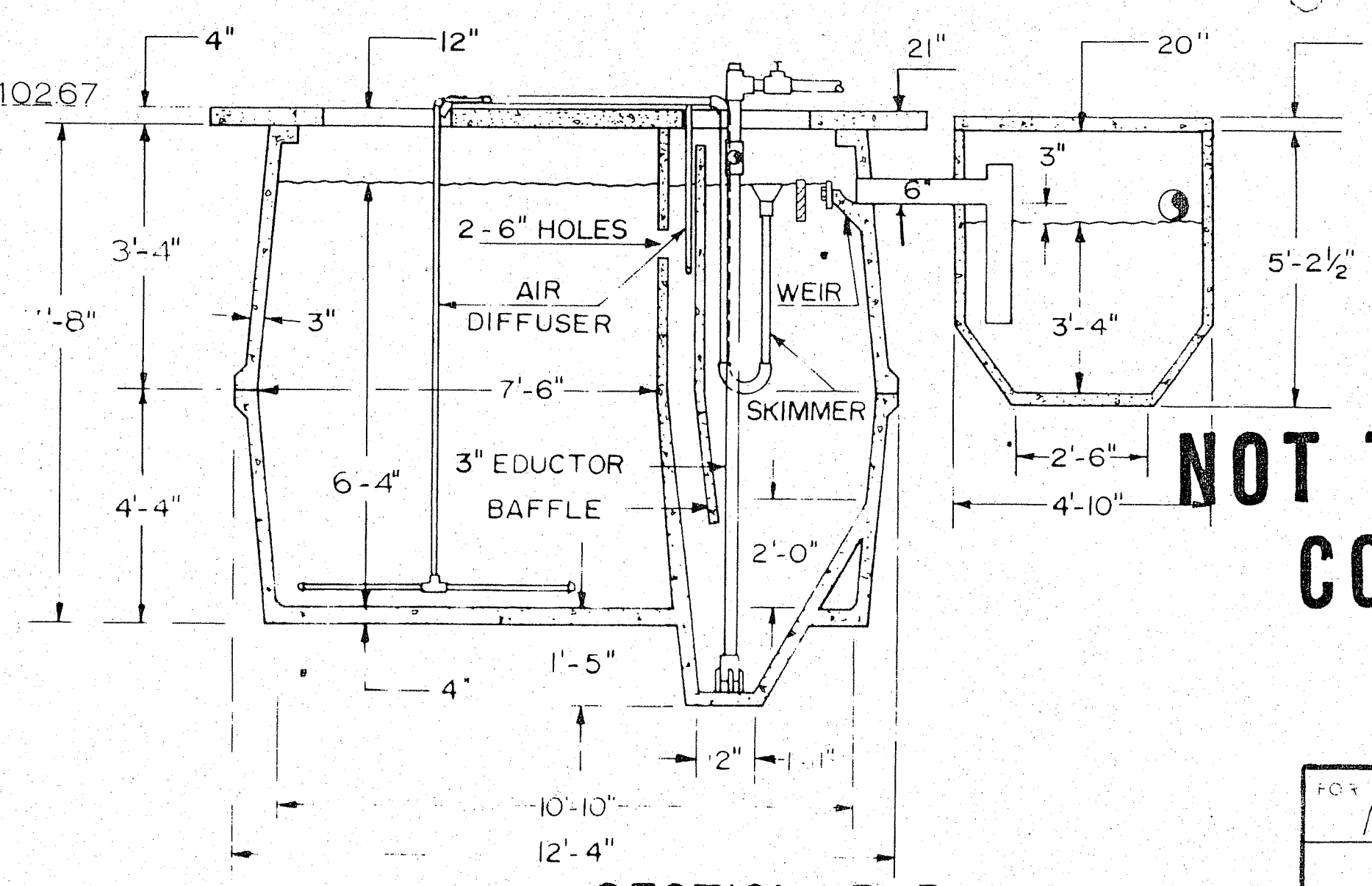
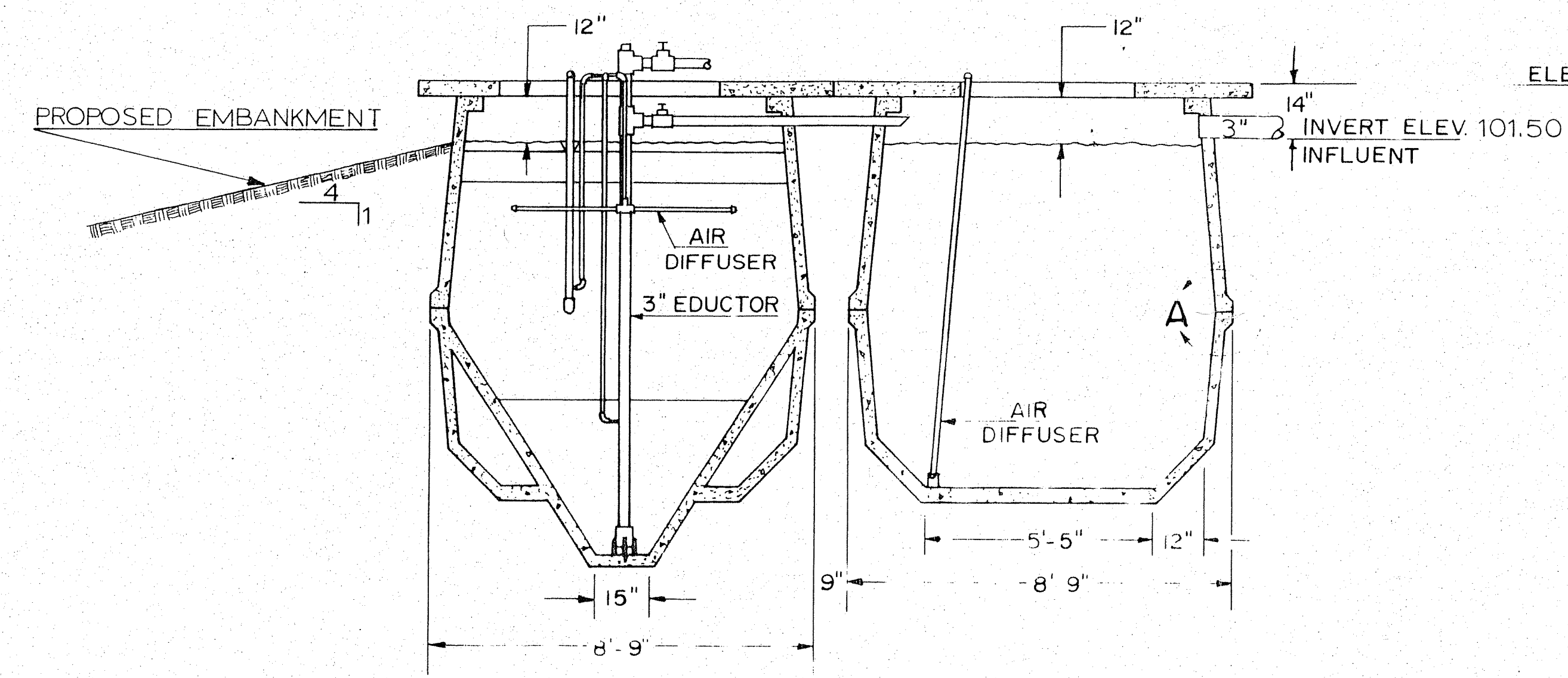
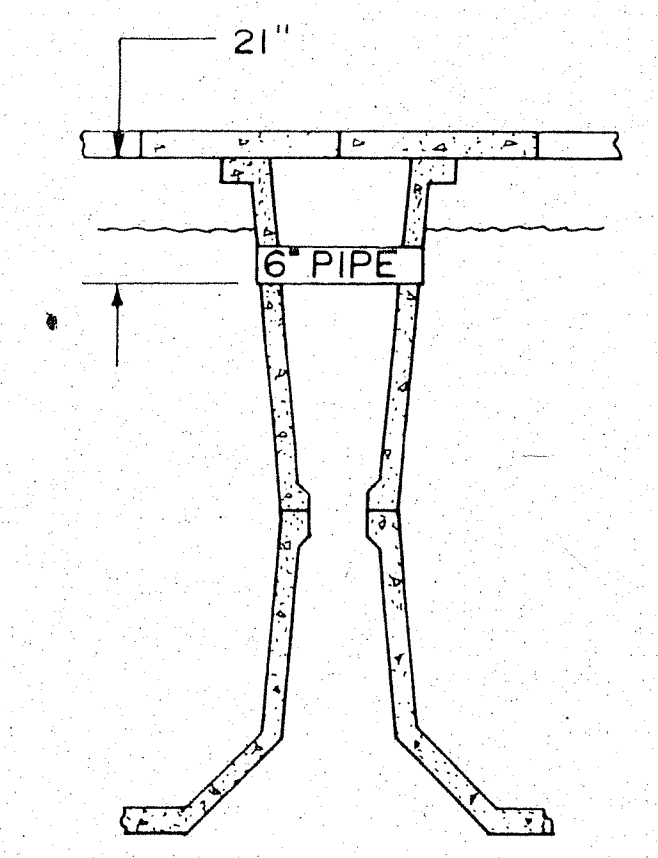
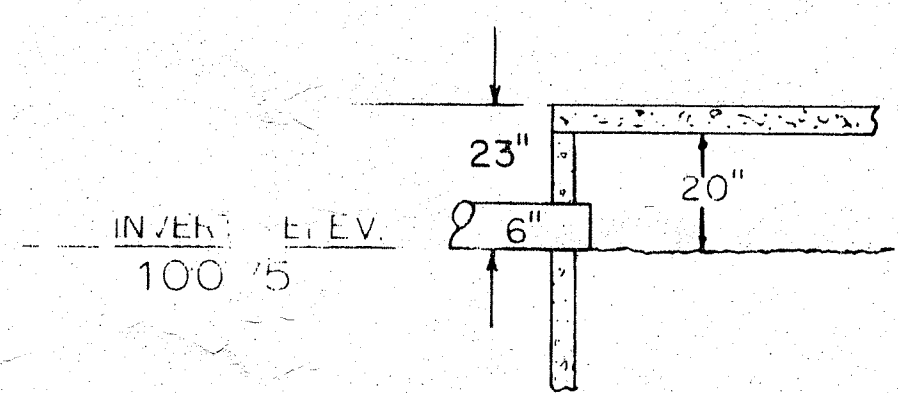
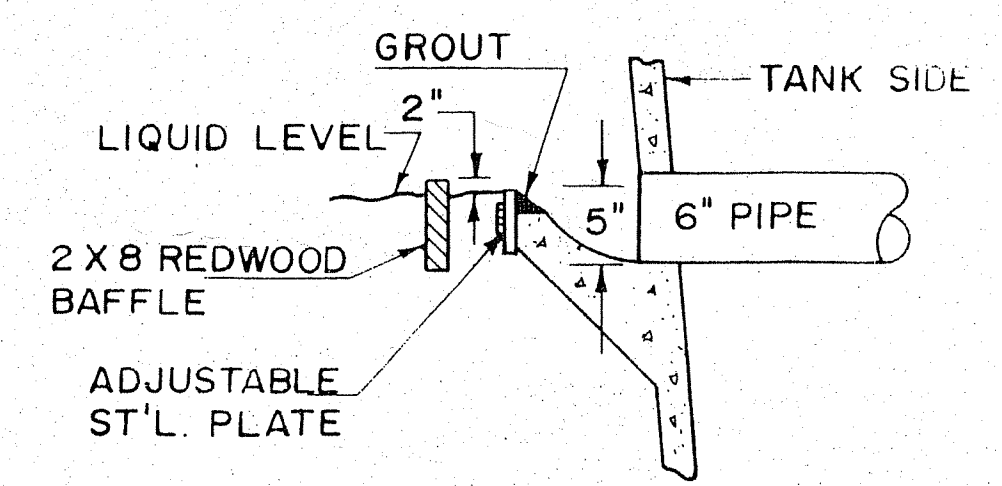
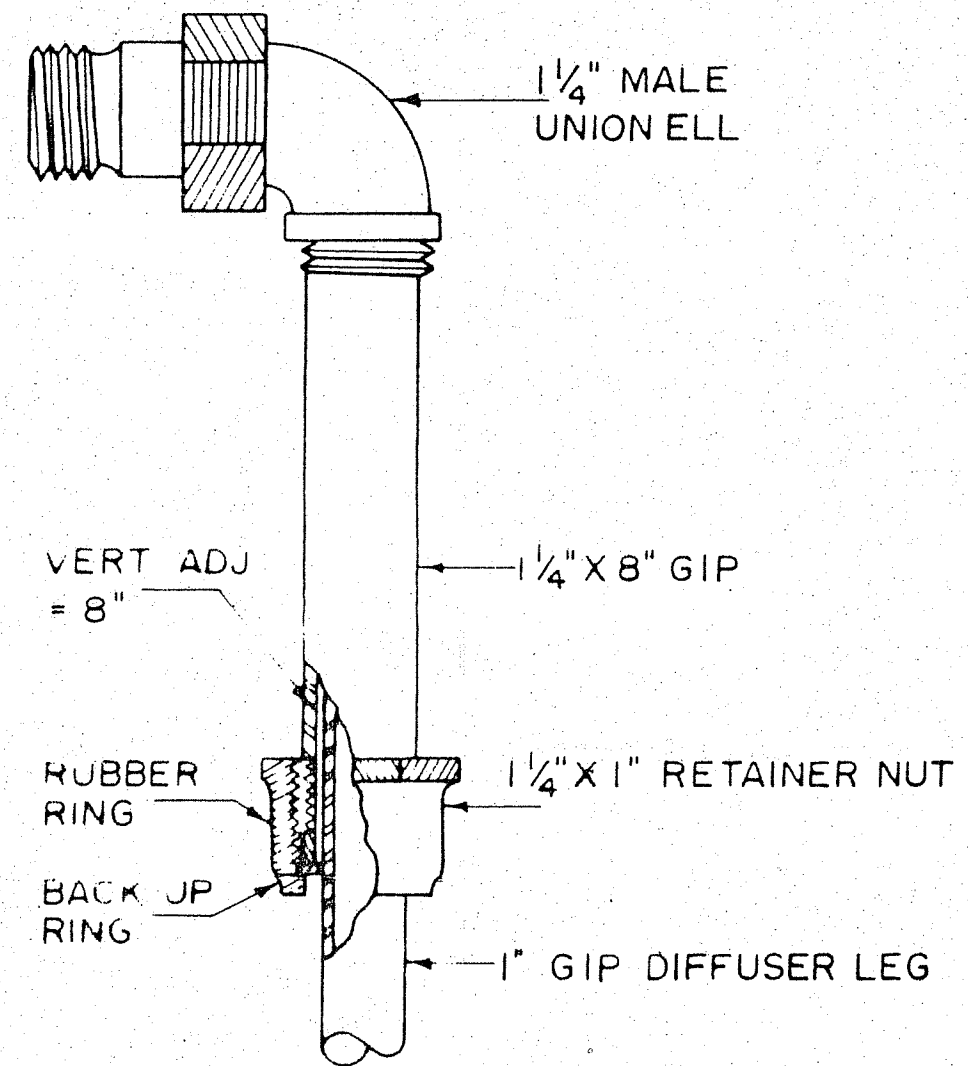
6



- NOTES:**
- SEWAGE TREATMENT PLANT EE MODEL 55 EA AS MANUFACTURED BY DEFIANCE COMPANY, BRALENTON, FLORIDA.
 - ALL PIPING SHALL CONFORM TO THE FOLLOWING SPECIFICATIONS:
 - (A) PVC CS-218-61 SCHEDULE A
 - (B) CAST IRON F.W.W.P. 421 CLASS 150
 - (C) DOMESTIC GALVANIZED IRON F.S. W.W.P. 406-L

- SEWAGE TREATMENT PLANT DATA:**
- TANK VOLUMES IN GALLONS:
 - (A) AERATION - 2600
 - (B) CLARIFIER - 1300
 - (C) CHLORINE CONTACT - 163
 - (D) SLUDGE HOLDING - 500
 - BLOWER & MOTOR DATA:
 - (A) BLOWER: SUTORBIT-311-44 2F11 @ 3.5 PSI.
 - (B) MUFFLER: ENGINEERED PROC. E-270A-2"
 - (C) MOTOR: 3 HP WESTINGHOUSE
 - CHLORINATOR MODEL 55 EVERPURE 0.63 GPH. W/15 GAL SOLUTION TANK

NOTE:
SEVERAL HIDDEN LINES OMITTED FOR CLARITY



NOT TO BE USED FOR CONSTRUCTION

FOR
MR. ALBERT J. SHOCKEY
RIVER BEND
6,500 GPD SEWAGE TREATMENT PLANT
BY DEFIANCE COMPANY, BRALENTON, FLA.
BY
WILLIAM H. REESE, P.E.
DWG. NO. DATE